



STREAMLIGHT®



TLR-7® X sub / TLR-8® X sub

Operating Instructions // Instrucciones de funcionamiento
Instructions d'utilisation // Bedienungsanleitung



ENGLISH

IMPORTANT: FULLY CHARGE SL-B9® BATTERY PACK BEFORE FIRST USE.

Thank you for selecting the TLR-7® X sub, TLR-8® X sub, or TLR-8® X G sub multi-fuel weapon-mounted tactical flashlight. As with any professional tool, reasonable care and maintenance of this product will provide years of dependable service. Please read this manual before using your TLR.

SAVE THESE INSTRUCTIONS. This guide contains important safety and operating instructions for your TLR.

▲ WARNING HANDLING A FIREARM CAN BE DANGEROUS AND MAY RESULT IN SERIOUS INJURY, DAMAGE TO PROPERTY, OR DEATH. FOLLOW BOTH THE FLASHLIGHT AND THE FIREARM MANUFACTURER'S SAFETY/OPERATING INSTRUCTIONS. NEVER HANDLE A FIREARM UNLESS YOU HAVE RECEIVED QUALIFIED TRAINING. SAFETY MEASURES MUST BE EMPLOYED AT ALL TIMES. NEVER POINT THE FIREARM AT SOMETHING YOU DO NOT INTEND TO SHOOT.

▲ WARNING ACCIDENTAL DISCHARGE OF A FIREARM MAY RESULT IN SERIOUS INJURY, DAMAGE TO PROPERTY, OR DEATH. MAKE SURE THAT THE FIREARM IS UNLOADED AND THE BREECH IS OPEN WHEN INSTALLING, CLEANING, ADJUSTING AIM, MAINTAINING, OR REMOVING THE FLASHLIGHT. ONLY ACTIVATE THE FLASHLIGHT WITH THE NON-TRIGGER HAND WHILE EMPLOYING A TWO-HAND GRIP ON THE FIREARM AND WITH THE TRIGGER FINGER OUTSIDE OF THE TRIGGER GUARD.

▲ WARNING RISK OF INJURY. THE USE OF SUBSTANDARD OR AFTERMARKET COMPONENTS, MODIFICATIONS TO THE ORIGINAL PARTS, OR USE OF THIS FLASHLIGHT WITH ANY INCOMPATIBLE PRODUCT MAY VOID WARRANTY AND COULD LEAD TO PRODUCT FAILURE OR PERSONAL INJURY.

▲ CAUTION LED RADIATION (RG-2). DO NOT STARE INTO BEAM. MAY BE HARMFUL TO EYES. PER IEC 62471 ED 1.0:2006-07.

LASER (TLR-8® X sub only)

LASER RADIATION;
AVOID DIRECT EYE EXPOSURE.
CLASS 3R LASER PRODUCT
640 - 660 nm, OUTPUT <5 mW



COMPLIES WITH
21CFR1040.10 & 11
LASER NOTICE 56
08 MAY 2019

LASER (TLR-8® X G sub only)

LASER RADIATION;
AVOID DIRECT EYE EXPOSURE.
CLASS 3R LASER PRODUCT
510 - 530 nm, OUTPUT <5 mW



G
COMPLIES WITH
21CFR1040.10 & 11
LASER NOTICE 56
08 MAY 2019

▲ CAUTION STROBE MODE MAY CAUSE SEIZURES IN PERSONS WITH PHOTOSENSITIVE EPILEPSY.

▲ CAUTION The TLR series provides a powerful beam. When operated for a long time, it will get uncomfortably warm. This is NORMAL and is not a defect. Any LED flashlight of similar size and performance will produce similar amounts of heat during operation. The only way to reduce operating heat is to SIGNIFICANTLY lower the output or increase the size of the flashlight. While this heating may trigger the drop reflex if an unattended hot light is picked up, the temperature does not present a burn hazard. When used tactically for short periods of time to clear a room, check for intruders, etc., heating will not be a problem.

BATTERY SAFETY

▲ CAUTION EXPLOSION RISK, BURN, AND FIRE HAZARD. DO NOT DISASSEMBLE, CRUSH, SHORT CIRCUIT, HEAT ABOVE 140°F (60°C), OR DISCARD IN FIRE. DO NOT RECHARGE CR123A. USE ONLY WITH THE SPECIFIED STREAMLIGHT PRODUCTS. KEEP AWAY FROM CHILDREN. BATTERY MUST BE RECYCLED OR DISPOSED OF PROPERLY.

NOTICE This product is designed to use a CR123A battery or a Streamlight SL-B9® protected Li-ion rechargeable battery.

The Streamlight SL-B9® battery contained in this product is recyclable. At the end of its useful life, under various country and state laws, it may be illegal to dispose of this battery in the municipal solid waste stream. Check with your local solid waste officials for details in your area for recycling options or proper disposal (In USA: RBRC).

RAIL KEY INSTALLATION/REMOVAL

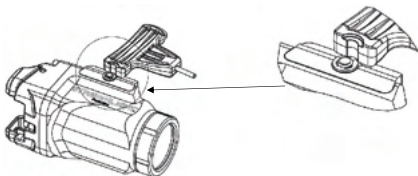
THE TLR MUST BE REMOVED FROM THE FIREARM BEFORE THIS PROCEDURE CAN BE PERFORMED.

The TLR-7® X sub / TLR-8® X sub series is available in several configurations. If the key installed on the unit is not correct, select a key that will securely attach your TLR to the weapon with special regard for: width of key and rail slot, operation of the switch, and non-interference with the trigger guard, etc. Refer to the Compatibility List for configurations that are tested and approved by Streamlight. Some models are shipped with the firearm specific key and rail clamp installed and no additional keys.

A KEY MUST BE USED OR THE TLR WILL SLIDE OFF THE WEAPON RAIL UNDER RECOIL.

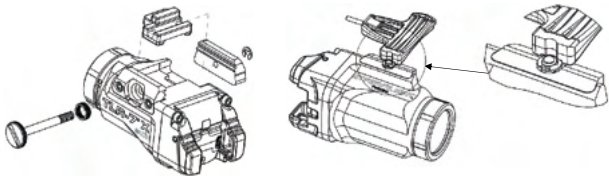
Rail Key Removal

1. Fully tighten the rail clamp tension bolt.
2. The e-clip will become accessible on the end of rail clamp tension bolt (not installed from the factory).
3. Align the e-clip side of the multi-tool with the pin facing towards the lens and apply pressure to free the e-clip from the rail clamp tension bolt. The tool must push against the open end of the e-clip.
4. Unscrew the rail clamp tension bolt and remove it completely (the tension spring must stay with the rail clamp tension bolt).



Rail Key Installation

1. Unscrew the rail clamp tension bolt and remove it completely (the tension spring must stay with the rail clamp tension bolt).
2. Place the key into the slot between the movable portion of the rail clamp and the fixed side. Note: The key is fitted properly when the rail clamp tension bolt can be installed.
3. Insert the rail clamp tension bolt through the fixed side of the rail clamp, through the key and tighten into the movable side of the clamp.
4. Tighten the rail clamp tension bolt fully against the fixed side of the rail clamp.
5. Place the e-clip onto the movable rail clamp and align the open end with the groove in the threaded portion of the rail clamp tension bolt.
6. Align the e-clip side of the multi-tool with the pin facing towards the switch and push the tool until the e-clip snaps into place.

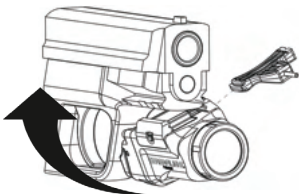


FLASHLIGHT MOUNTING/REMOVAL

▲ WARNING HANDLING A FIREARM CAN BE DANGEROUS AND MAY RESULT IN SERIOUS INJURY, DAMAGE TO PROPERTY, OR DEATH. MAKE SURE THAT THE FIREARM IS UNLOADED AND THE BREECH IS OPEN. IT IS IMPERATIVE THAT SAFETY MEASURES BE EMPLOYED AT ALL TIMES WHILE HANDLING THE FIREARM.

1. The TLR is designed to be quickly attached or detached from the side of the weapon or accessory rail.
2. Loosen the rail clamp tension bolt.

3. Angle the TLR, placing the fixed portion of the rail clamp against the accessory rail and align the rail key with the appropriate cross groove in the accessory rail.



4. Depress the rail clamp tension bolt to open the rail clamp, rotate the TLR into place and release the pressure on the tension bolt to “snap” the light in place.
5. Check for fit and tighten rail clamp tension bolt until the TLR is securely attached to the firearm.

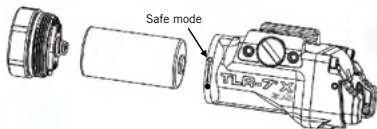
NOTE: The driver feature of the multi-tool opposite the e-clip feature may be used to obtain sufficient tightness. Alternatively, a coin may be used. Tighten only “finger tight.”

BATTERY INSTALLATION/REMOVAL

▲ WARNING HANDLING A FIREARM CAN BE DANGEROUS AND MAY RESULT IN SERIOUS INJURY, DAMAGE TO PROPERTY, OR DEATH. MAKE SURE THAT THE FIREARM IS UNLOADED AND THE BREECH IS OPEN. IT IS IMPERATIVE THAT SAFETY MEASURES BE EMPLOYED AT ALL TIMES WHILE HANDLING THE FIREARM.

At the end of battery life, the switch may appear intermittent or non-functional. Replacing the battery will restore normal operation.

1. Unscrew and remove the face cap assembly from the body of the TLR. Remove the exhausted battery from the flashlight body.
2. The multi-fuel TLR-7® X sub / TLR-8® X sub series uses either a CR123A lithium battery or an SL-B9® USB rechargeable battery. Insert a fresh CR123A or SL-B9® battery, positive end first, into the body of the TLR. Battery polarity is indicated on the side of the TLR body.
3. Place the face cap assembly onto the TLR body. Fully tighten the face cap assembly to ensure that the battery makes complete contact with the internal electrical contacts.
4. For “safe” mode, loosen the face cap approximately ¼ turn to the detent. The light/laser will not turn on when either button is pressed and the battery is disconnected.



SL-B9® USB BATTERY CHARGING

NOTICE Fully charge battery before first use.

The TLR-7® X sub / TLR-8® X sub series USB models ship with an SL-B9® battery with integrated charge port.

To charge the SL-B9® battery, insert the USB-C plug into the connector near the positive end of the battery. The battery may be left plugged into a USB-C cable continuously, as there is no danger of overcharging.

LED Charge Indicator

- Charging...Red LED is on.
- Charged...Green LED is on.

The charge time is approximately 2.5 hours.

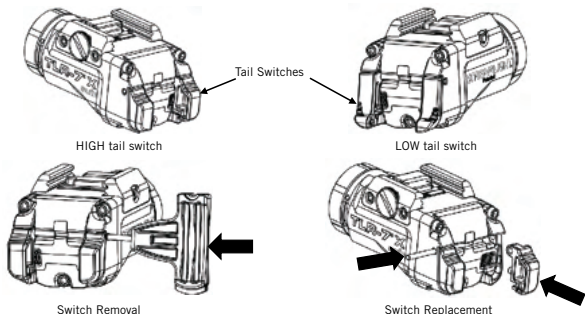
SWITCH OPERATION

The TLR features ambidextrous rear switches for momentary or constant activation.

- A tap on either switch turns the unit "on" or "off."
- Press and hold either switch for momentary activation of the unit.
- NOTE: The TLR will not operate if the face cap is in "safe" mode.

Rear Switch Options

The TLR has two versions of tail switch available, depending on user grip preference. The LOW tail switch presents the rear switch lower on either side of the trigger guard while the HIGH tail switch presents the rear switch higher up on either side of the trigger guard. The LOW and HIGH tail switches are interchangeable by using the push pin feature on the multi-tool to press the retaining pin clear of the paddle on one side and then the other. See the switch removal and replacement views below.



Strobe Operation

The strobe mode can be activated by either switch. Within $\frac{1}{4}$ second, press switch release and immediately re-press for strobe.

Strobe Enable/Disable

The TLR ships from the factory with the strobe mode disabled. To enable strobe, starting from the "Off" position, tap either switch very rapidly 9 times (within $\frac{1}{4}$ second per tap) and hold down on the 10th time. Hold the switch until the light turns off (about one second) which indicates reprogramming was successful. Repeat the procedure above to disable strobe mode.

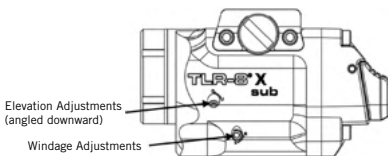
LASER SIGHT ZEROING

For a laser mounted below or to the side of the bore, there is only one distance where the bullet path will coincide with the laser sight line. This point is the "zero range." Laser adjustment and the muzzle velocity of the bullet determine where this point occurs. The user must decide how high above or below the sight line the bullet can be allowed to strike and adjust the sight accordingly. At distances less than the zero range, the bullet will be above the sight line. Beyond the zero range, the bullet will be below the sight line. If mounted to the side, the bullet will also deviate to the side of the laser line, as well as up and down. In practice, a TLR on a handgun can be adjusted to keep the bullet strike within about 2" high and 2" low out to about 100 feet.

There are two adjustment screws located on the left side of the flashlight body. The windage adjustment is located closest to the bottom of the flashlight. Turn the set screw clockwise to move the laser to the left (POI right). Turn the set screw counterclockwise to move the laser to the right (POI left). The elevation adjustment is located higher up on the flashlight body angled downward. With the TLR pointed down range, a clockwise turn of the adjustment screw will move the laser up (POI down). A counterclockwise turn on the adjustment screw will move the laser down (POI up). Move the laser dot in the direction that the shots are hitting the target (example: If the bullets are striking low and right, move the laser dot down and right to coincide with the bullet strike).

NOTE: When making large adjustments, there may be an interaction that causes the laser to move diagonally

or bind. It may become necessary to rotate the opposing adjustment screw counterclockwise to allow the laser cartridge to move to the desired position.



MAINTENANCE

The TLR rail clamp tension bolt requires an application of high-quality gun oil to keep it rust free. Use a soft cloth and mild detergent to clean the glass LED lens and keep it free of dirt and grime.

Note: Always avoid aggressive cleaning solutions as they may damage the TLR. If you shoot ammunition with an exposed lead base on the bullets, the lens and face cap may become coated with lead. This may be removed from the lens by rubbing with fine steel wool. It is extremely difficult to remove the lead coating from the face cap. Wrap the face cap with electrical tape to avoid lead coating.

PRODUCT USE

Streamlight flashlights are intended for use as high intensity, heavy duty, and portable light sources. Use of Streamlight flashlights for any purpose other than as light sources is specifically discouraged by the manufacturer. Streamlight specifically disclaims liability for other than recommended use.

NOTICE

Be sure to use only genuine Streamlight replacement parts to ensure product safety. Substitution may invalidate the product approval. Do not try to repair the unit yourself. Send to a qualified service facility or return it to the factory.

Streamlight Limited Lifetime Warranty

Streamlight warrants this product to be free of defects for a lifetime of use except for batteries and bulbs, abuse, and normal wear. We will repair, replace, or refund the purchase price of this product should we determine it to be defective. This limited lifetime warranty also excludes rechargeable batteries, chargers, switches, and electronics which have a 2-year warranty with proof of purchase. **THIS IS THE ONLY WARRANTY, EXPRESSED OR IMPLIED, INCLUDING ANY WARRANTY OF MERCHANTABILITY OR FITNESS FOR A PARTICULAR PURPOSE. INCIDENTAL, CONSEQUENTIAL OR SPECIAL DAMAGES ARE EXPRESSLY DISCLAIMED EXCEPT WHERE SUCH LIMITATION IS PROHIBITED BY LAW.** You may have other specific legal rights which vary by jurisdiction.

Go to streamlight.com/support for a complete copy of the warranty. To register your product, go to streamlight.com (Online Product Registration). Retain your receipt or any proof of purchase.

SERVICE OPTIONS

The TLR-7[®] X sub / TLR-8[®] X sub series contains few or no user-serviceable parts.

For service options, go to streamlight.com/support/service and complete the Online Service Request for factory service or to find the location of an authorized Streamlight repair center near you.

Or contact:

Customer Service
© Streamlight, Inc.
30 Eagleville Road
Suite 100
Eagleville, PA 19403-3996, USA
Phone: (800) 523-7488 Toll-Free / +1 (610) 631-0600
Fax: (800) 220-7007 / +1 (610) 631-0712
Email: cs@streamlight.com

ESPAÑOL

IMPORTANTE: CARGUE LA PILA SL-B9® COMPLETAMENTE ANTES DE USARLA POR PRIMERA VEZ.

Gracias por seleccionar la linterna táctica multicarga para arma TLR-7® X sub, TLR-8® X sub o TLR-8® X G sub. Tal y como ocurre con cualquier herramienta profesional, el mantenimiento y cuidado razonables de este producto brindará años de servicio fiable. Lea este manual antes de usar su TLR.

GUARDE ESTAS INSTRUCCIONES. Esta guía incluye instrucciones importantes de funcionamiento y seguridad para su TLR.

▲ ADVERTENCIA MANIPULAR UN ARMA DE FUEGO PUEDE SER PELIGROSO Y PUEDE PROVOCAR LESIONES GRAVES, DAÑOS A LA PROPIEDAD O LA MUERTE. SIGA LAS INSTRUCCIONES DE FUNCIONAMIENTO Y DE SEGURIDAD DEL FABRICANTE DEL ARMA Y DE LA LINTERNA. NO MANIPULE NUNCA UN ARMA SI NO HA RECIBIDO FORMACIÓN CUALIFICADA. DEBERÁN TOMARSE MEDIDAS DE SEGURIDAD EN TODO MOMENTO. NO APUNTE NUNCA UN ARMA DE FUEGO A ALGO QUE NO ESTÉ DISPUESTO A DESTRUIR.

▲ ADVERTENCIA LA DESCARGA ACCIDENTAL DE UN ARMA DE FUEGO PUEDE PROVOCAR LESIONES GRAVES, DAÑOS A LA PROPIEDAD O LA MUERTE. ASEGÚRESE DE QUE EL ARMA DE FUEGO ESTÉ DESCARGADA Y LA CULATA ABIERTA AL INSTALAR, LIMPIAR, AJUSTAR LA PUNTERÍA, MANTENER O RETIRAR LA LINTERNA. ACTIVE LA LINTERNA SOLO CON LA MANO QUE NO SE UTILIZA PARA DISPARAR MIENTRAS UTILIZA UN AGARRE DE DOS MANOS EN EL ARMA DE FUEGO CON EL DEDO ÍNDICE FUERA DEL PROTECTOR DEL GATILLO.

▲ ADVERTENCIA RIESGO DE LESIÓN. EL USO DE COMPONENTES DE CALIDAD INFERIOR O POSVENTA, LAS MODIFICACIONES A LAS PARTES ORIGINALES O EL USO DE ESTA LINTERNA CON CUALQUIER PRODUCTO INCOMPATIBLE PODRÍA ANULAR LA GARANTÍA Y PODRÍA PROVOCAR EL FALLO DEL PRODUCTO O UNA LESIÓN PERSONAL.

▲ CUIDADO RADIACIÓN LED (RG-2). NO MIRE DIRECTAMENTE AL HAZ. PODRÍA DAÑAR SU VISTA. DE CONFORMIDAD CON IEC 62471 Ed. 1.0:2006- 07.

LÁSER (solo TLR-8® X sub)

RADIACIÓN LÁSER. EVITE LA EXPOSICIÓN DIRECTA A LOS OJOS. PRODUCTO LÁSER DE CLASE 3R 640-660 nm, SALIDA < 5 mW



CUMPLE LAS NORMAS
21CFR1040.10 Y 11,
AVISO LÁSER 56
08 DE MAYO DE 2019

LÁSER (solo TLR-8® X G sub)

RADIACIÓN LÁSER. EVITE LA EXPOSICIÓN DIRECTA A LOS OJOS. PRODUCTO LÁSER DE CLASE 3R 510-530 nm, SALIDA < 5 mW



G CUMPLE LAS NORMAS
21CFR1040.10 Y 11,
AVISO LÁSER 56
08 DE MAYO DE 2019

▲ CUIDADO EL MODO ESTROBOSCÓPICO PUEDE PROVOCAR ATAQUES EPILÉPTICOS A PERSONAS CON EPILEPSIA FOTOSENSIBLE.

▲ CUIDADO La serie TLR proporciona un potente haz. Cuando funciona durante un periodo prolongado, alcanzará una temperatura caliente que resulta incómoda. Esto es NORMAL y no se trata de un defecto. Cualquier linterna LED de tamaño y rendimiento similares producirá cantidades similares de calor durante el funcionamiento. La única manera de reducir el calor producido durante el funcionamiento consiste en disminuir de manera SIGNIFICATIVA la potencia o aumentar el tamaño de la linterna. Si bien este calor podría provocar el reflejo de dejarla caer, si se recoge una linterna caliente desatendida, la temperatura no presenta un riesgo de quemaduras. Cuando se utiliza tácticamente durante breves periodos de tiempo para despejar una habitación, comprobar la presencia de intrusos, etc., el calor no supondrá ningún problema.

SEGURIDAD DE LAS PILAS

▲ CUIDADO RIESGO DE EXPLOSIÓN, PELIGRO DE QUEMADURAS E INCENDIO. NO DESMONTE, APLASTE, CORTOCIRCUITE, NI CALIENTE A TEMPERATURAS POR ENCIMA DE 60 °C (140 °F) NI LAS DESECHE EN UN FUEGO. NO RECARGUE LAS PILAS CR123A. UTILICE SOLO CON LOS PRODUCTOS STREAM-LIGHT ESPECIFICADOS. MANTENGA FUERA DEL ALCANCE DE LOS NIÑOS. LA PILA DEBE RECICLARSE O DESECHARSE CORRECTAMENTE.

AVISO Este producto se ha diseñado para utilizar una pila CR123A o una pila recargable de iones de litio protegida Streamlight SL-B9®.

La pila Streamlight SL-B9® incluida en este producto puede reciclarse. Al final de su vida útil, según establecen diferentes leyes estatales y del país, podría ser ilegal desechar esta pila en el flujo de residuos sólidos municipal. Consulte a los organismos locales a cargo de los residuos sólidos para informarse sobre las opciones de reciclado o desecho correcto de su área (en EE. UU.: RBRC).

INSTALACIÓN Y DESMONTAJE DE LA LLAVE DEL RIEL

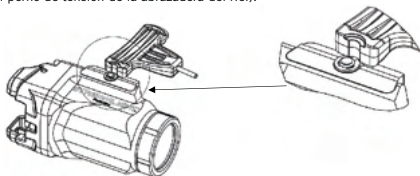
ANTES DE PODER REALIZAR ESTE PROCEDIMIENTO ES NECESARIO DESMONTAR LA TLR DEL ARMA.

La serie TLR-7[®] X sub / TLR-8[®] X sub está disponible en varias configuraciones. Si la llave instalada en la unidad no es correcta, seleccione una llave que acople de forma segura la TLR al arma con especial atención a los puntos siguientes: ancho de la llave y de la ranura del riel, funcionamiento del interruptor y que no haya interferencia con el protector de gatillo, etc. Consulte la Lista de compatibilidad de las configuraciones probadas y aprobadas por Streamlight. Algunos modelos se envían con la llave específica del arma de fuego y la abrazadera del riel instaladas y sin llaves adicionales.

DEBE USARSE UNA LLAVE O DE LO CONTRARIO LA TLR SE SALDRÁ DEL RIEL DEL ARMA BAJO EL RECUPERADOR.

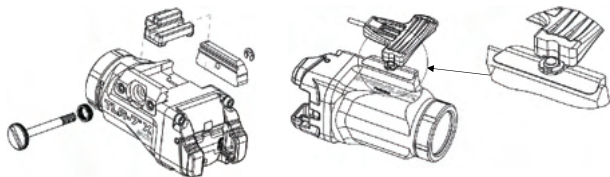
Desmontaje de la llave del riel

1. Apriete completamente el perno de tensión de la abrazadera del riel.
2. Será posible acceder a la grupilla desde el extremo del perno de tensión de la abrazadera del riel (no se instala de fábrica).
3. Alinee el lado de la grupilla de la herramienta múltiple con el pasador orientado hacia la óptica y aplique presión para liberar la grupilla del perno de tensión de la abrazadera del riel. La herramienta debe empujar contra el extremo abierto de la grupilla.
4. Desenrosque el perno de tensión de la abrazadera del riel y extráigalo por completo (el muelle de tensión debe permanecer junto al perno de tensión de la abrazadera del riel).



Instalación de la llave del riel

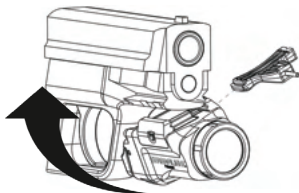
1. Desenrosque el perno de tensión de la abrazadera del riel y extráigalo por completo (el muelle de tensión debe permanecer junto al perno de tensión de la abrazadera del riel).
2. Sitúe la llave en la muesca entre la sección móvil de la abrazadera del riel y el lado fijo. Nota: La llave está correctamente instalada cuando pueda instalarse el perno de tensión de la abrazadera del riel.
3. Inserte el perno de tensión de la abrazadera del riel a través del lado fijo de la abrazadera del riel, a través de la llave y apriete en el lado móvil de la abrazadera.
4. Apriete el perno de tensión de la abrazadera del riel completamente contra el lado fijo de la abrazadera del riel.
5. Coloque la grupilla en la abrazadera del riel móvil y alinee el extremo abierto con la ranura en la sección roscada del perno de tensión de la abrazadera del riel.
6. Alinee el lado de la grupilla de la herramienta múltiple con el pasador orientado hacia el interruptor y empuje la herramienta hasta que la grupilla encaje en su sitio.



MONTAJE/EXTRACCIÓN DE LA LINTERNA

▲ ADVERTENCIA MANIPULAR UN ARMA DE FUEGO PUEDE SER PELIGROSO Y PUEDE PROVOCAR LESIONES GRAVES, DAÑOS A LA PROPIEDAD O LA MUERTE. ASEGÚRESE DE QUE EL ARMA DE FUEGO ESTÉ DESCARGADA Y LA CULATA ABIERTA. DURANTE LA MANIPULACIÓN DEL ARMA DE FUEGO ES OBLIGATORIO EL USO DE MEDIDAS DE SEGURIDAD EN TODO MOMENTO.

1. La TLR ha sido diseñada para montarse o desmontarse con rapidez del lateral del arma o del riel accesorio.
2. Afloje el perno de tensión de la abrazadera del riel.
3. Sitúe en ángulo la TLR, colocando la parte fija de la abrazadera del riel contra el riel accesorio y alinee la llave del riel con la ranura transversal apropiada en el riel accesorio.



4. Oprima el perno de tensión de la abrazadera del riel para abrir la abrazadera del riel, gire la TLR hasta situarla en su sitio y elimine la presión en el perno de tensión para «encajar» la linterna en su sitio.
5. Compruebe el ajuste y apriete el perno de tensión de la abrazadera del riel hasta que la TLR esté firmemente acoplada al arma de fuego.

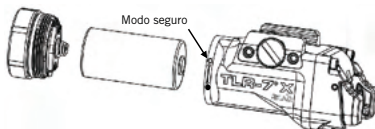
NOTA: Es posible usar el destornillador de la herramienta múltiple en el lado opuesto a la grupilla para lograr el apriete deseado. También es posible usar una moneda. Apriete sólo «con los dedos».

INSTALACIÓN/EXTRACCIÓN DE LAS PILAS

⚠ ADVERTENCIA MANIPULAR UN ARMA DE FUEGO PUEDE SER PELIGROSO Y PUEDE PROVOCAR LESIONES GRAVES, DAÑOS A LA PROPIEDAD O LA MUERTE. ASEGÚRESE DE QUE EL ARMA DE FUEGO ESTÉ DESCARGADA Y LA CULATA ABIERTA. DURANTE LA MANIPULACIÓN DEL ARMA DE FUEGO ES OBLIGATORIO EL USO DE MEDIDAS DE SEGURIDAD EN TODO MOMENTO.

Al final de la vida útil de las pilas, es posible que el funcionamiento del interruptor sea intermitente o que no funcione. La sustitución de la pila hará que vuelva a funcionar normalmente.

1. Desenrosque y extraiga el conjunto de tapa delantera del cuerpo de la TLR. Extraiga la pila agotada del cuerpo de la linterna.
2. La serie multicarga TLR-7® X sub / TLR-8® X sub utiliza una batería de litio CR123A o una batería recargable por USB SL-B9®. Inserte una batería nueva CR123A o SL-B9®, con el extremo positivo primero, en el cuerpo del TLR. La polaridad de la batería se indica en el lateral del cuerpo del TLR.
3. Coloque el conjunto de tapa delantera en el cuerpo de la TLR. Apriete completamente el conjunto de tapa delantera para asegurarse de que la pila entre en contacto por completo con los contactos eléctricos internos.
4. Para el modo «seguro», afloje la tapa delantera aproximadamente ¼ de vuelta hasta llegar al tope. La linterna/láser no se encenderán cuando se oprima cualquiera de los botones y la pila esté desconectada.



CARGA DE PILAS DEL USB SL-B9®

AVISO Cargue completamente las pilas antes de usarlas por primera vez.

Los modelos USB de la serie TLR-7® X sub / TLR-8® X sub se envían con una batería SL-B9® con puerto de carga integrado.

Para cargar la pila SL-B9®, inserte el enchufe USB-C en el conector cerca del extremo positivo de la pila. La pila puede dejarse enchufada en un cable USB-C de manera continua, no existe peligro de sobrecarga.

LED indicador de carga

- Cargando...LED rojo encendido.
- Cargado...LED verde encendido.

Tarda en cargarse aproximadamente 2,5 horas.

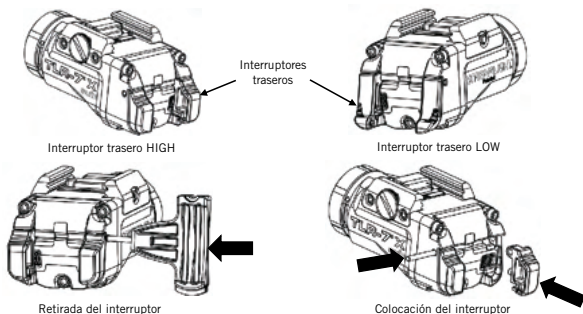
FUNCIONAMIENTO DEL INTERRUPTOR

El TLR cuenta con interruptores traseros ambidextros que ofrecen activación momentánea o constante.

- Un golpecito en cualquiera de los interruptores enciende o apaga la unidad.
- Pulse y mantenga pulsado cualquiera de los interruptores para activar momentáneamente la unidad.
- NOTA: La TLR no funcionará si la tapa delantera está en modo «seguro».

Opciones del interruptor trasero

El TLR tiene dos versiones de interruptor trasero disponibles, según la preferencia de agarre del usuario. El interruptor de la base LOW presenta el interruptor trasero más bajo en cualquiera de los lados del protector de gatillo mientras que el interruptor de la base HIGH presenta el interruptor trasero más arriba en cualquiera de los lados del protector de gatillo. Los interruptores de la base LOW y HIGH pueden intercambiarse utilizando el pasador de empuje de la herramienta múltiple para separar el pasador de retención de la paleta primero en un lado y luego en el otro. Consulte las vistas para la retirada y colocación del interruptor a continuación.



Funcionamiento del estroboscopio

El modo estroboscópico de la linterna puede activarse mediante cualquiera de los interruptores. Pulse, en un intervalo de $\frac{1}{4}$ de segundo, el interruptor, suelte y vuelva a pulsar inmediatamente para obtener el modo estroboscópico.

Activación/desactivación del estroboscopio

La TLR se envía de fábrica con el modo estroboscópico desactivado. Para activar el estroboscopio, empezando desde la posición de apagado, pulse cualquiera de los interruptores con rapidez 9 veces (no debe transcurrir más de $\frac{1}{4}$ de segundo entre cada pulsación) y mantenga pulsado el interruptor la décima vez. Mantenga pulsado el interruptor hasta que la luz se apague (aproximadamente un segundo), lo que indica que la reprogramación se ha realizado con éxito. Repita el procedimiento de arriba para desactivar el modo estroboscópico.

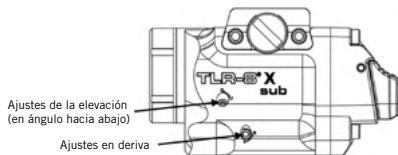
AJUSTE DE LOS ELEMENTOS DE PUNTERÍA DE LA VISIÓN LÁSER

Para un láser instalado debajo o a un lado del ánima, sólo hay una distancia en la que el trayecto de la bala coincidirá con la línea de visión láser. Este punto es el "rango cero". El ajuste del láser y la velocidad de la boca del arma de la bala determinan dónde se produce este punto. El usuario tiene que decidir a qué distancia por encima o por debajo de la línea de visión puede permitirse que la bala impacte y ajustar la visión en consecuencia. A distancias inferiores al rango cero, la bala estará por encima de la línea de visión. Más allá del rango cero, la bala estará por debajo de la línea de visión. Si se instala en el lateral, la bala también se desviará hacia el lateral de la línea láser, así como hacia arriba y hacia abajo. En la práctica, es posible ajustar una linterna TLR-4 en una pistola para mantener el impacto de la bala dentro de aproximadamente 5 cm por encima y 5 cm por debajo de aproximadamente 30,48 cm.

Hay dos tornillos de ajuste situados en el lado izquierdo del cuerpo de la linterna. El ajuste en deriva se encuentra en el lado más cercano a la parte inferior de la linterna. Gire el tornillo de ajuste hacia la derecha para mover el láser hacia la izquierda (punto de impacto derecho). Gire el tornillo de ajuste hacia la izquierda para mover el láser hacia la derecha (punto de impacto izquierdo). El ajuste de elevación se encuentra más arriba en el cuerpo de la linterna, en ángulo hacia abajo. Con la TLR orientada hacia el objetivo, un giro a la derecha del tornillo de ajuste moverá el láser hacia arriba (punto de impacto inferior). Un giro a la izquierda del tornillo de ajuste moverá el láser hacia arriba (punto de impacto superior). Mueva el punto del láser en la dirección en la que los disparos alcanzan

el objetivo (ejemplo: si el impacto de las balas se produce abajo y a la derecha, mueva el punto del láser hacia abajo y hacia la derecha para que coincida con el impacto de la bala).

NOTA: Al realizar grandes ajustes es posible que se produzca una interacción que provoque que el láser se mueva diagonalmente o se atasque. Puede que sea necesario girar el tornillo de ajuste opuesto hacia la izquierda para permitir que el cartucho del láser se mueva a la posición deseada.



MANTENIMIENTO

Es necesario aplicar aceite para pistolas de alta calidad en el perno tensor de la abrazadera del riel de la TLR para evitar su oxidación. Utilice un paño y un detergente suaves para limpiar la óptica del LED de vidrio y mantenerla libre de suciedad y mugre.

Nota: Evite siempre el uso de soluciones de limpieza agresivas ya que podrían dañar la TLR. Si dispara munición con una base de plomo expuesta en las balas, la lente y la tapa delantera podrían quedar cubiertas de plomo. Podría eliminarse de la óptica frotando con lana de acero fina. Resulta extremadamente difícil eliminar la capa de plomo de la tapa delantera. Envuelva la tapa delantera con cinta aislante para evitar que quede recubierta de plomo.

USO DEL PRODUCTO

Las linternas Streamlight se han diseñado para ser utilizadas como fuentes de luz portátiles de alta intensidad y para uso pesado. El uso de las linternas Streamlight para cualquier otro fin que no sea como fuentes de luz está expresamente desaconsejado por el fabricante. Streamlight renuncia específicamente a cualquier responsabilidad con cualquier uso distinto al recomendado.

AVISO

Para garantizar la seguridad del producto, asegúrese de utilizar piezas de repuesto originales de Streamlight. Su sustitución podría invalidar la aprobación del producto. No trate de reparar la linterna por su cuenta. Llévela a un centro de servicio cualificado o devuélvala a fábrica.

Garantía limitada de por vida de Streamlight

Streamlight garantiza que este producto estará libre de defectos durante una vida útil de uso a excepción de las pilas y bombillas, o por abuso y desgaste normal. Repararemos, sustituiremos o reembolsaremos el precio de compra de este producto si determináramos que está defectuoso. Esta garantía limitada de por vida también excluye las pilas recargables, los cargadores, interruptores y sistemas electrónicos, los cuales tienen una garantía de 2 años con prueba de compra. **ESTA ES LA ÚNICA GARANTÍA, EXPRESA O IMPLÍCITA, INCLUIDA CUALQUIER GARANTÍA DE COMERCIABILIDAD E IDONEIDAD PARA UN FIN EN PARTICULAR. RENUNCIAMOS EXPRESAMENTE A CUALQUIER RESPONSABILIDAD FRENTE A DAÑOS INCIDENTALES, CONSECUENTES, O ESPECIALES SALVO CUANDO DICHAS LIMITACIONES ESTÉN PROHIBIDAS POR LA LEY.** Podría tener otros derechos legales específicos que varían según la jurisdicción.

Diríjase a streamlight.com/support para obtener una copia completa de la garantía. Para registrar su producto, vaya a streamlight.com (registro del producto en línea). Conserve su recibo o cualquier prueba de compra.

OPCIONES DE SERVICIO

La serie TLR-7[®] X sub / TLR-8[®] X sub contiene pocas o ninguna pieza que pueda ser reparada por el usuario.

Para informarse sobre las opciones de servicio, diríjase a streamlight.com/support/service y rellene la Solicitud de servicio en línea para servicio de fábrica o para encontrar la ubicación de un centro de reparación Streamlight autorizado cercano.

O comuníquese con:

Customer Service
© Streamlight, Inc.
30 Eagleville Road
Suite 100
Eagleville, PA 19403-3996, EE. UU.
Teléfono: (800) 523-7488 gratuito/+1 (610) 631-0600
Fax: (800) 220-7007/+1 (610) 631-0712
Correo electrónico: cs@streamlight.com

FRANÇAIS

IMPORTANT : CHARGER LA PILE SL-B9® COMPLÈTEMENT AVANT LA TOUTE PREMIÈRE UTILISATION.

Merci d'avoir choisi la lampe de poche tactique multi-combustible montée sur arme TLR-7® X sub, TLR-8® X sub ou TLR-8® X G sub. Comme pour tout outil professionnel, un entretien approprié vous permettra de profiter de cet article pendant des années. Prière de lire ce manuel avant d'utiliser votre TLR.

CONSERVER CES INSTRUCTIONS. Le présent guide contient des instructions importantes en matière de sécurité et d'utilisation de votre TLR.

▲ AVERTISSEMENT LA MANIPULATION D'UNE ARME À FEU PEUT ÊTRE DANGEREUSE ET PEUT ENTRAÎNER DES BLESSURES GRAVES, DES DOMMAGES MATÉRIELS VOIRE LE DÉCÈS. SUIVRE LES INSTRUCTIONS EN MATIÈRE DE SÉCURITÉ / D'UTILISATION DU FABRICANT DE LA LAMPE TORCHE ET DE L'ARME À FEU. NE JAMAIS MANIPULER UNE ARME À FEU À MOINS D'AVOIR REÇU UNE FORMATION ADÉQUATE. DES MESURES DE SÉCURITÉ DOIVENT ÊTRE PRISES À TOUT MOMENT. NE JAMAIS DIRIGER D'ARME À FEU VERS QUELQUE CHOSE QUE L'ON NE SOUHAITE PAS ATTEINDRE.

▲ AVERTISSEMENT LA DÉCHARGE ACCIDENTELLE D'UNE ARME À FEU PEUT ENTRAÎNER DES BLESSURES GRAVES, DES DOMMAGES MATÉRIELS VOIRE LE DÉCÈS. S'ASSURER QUE L'ARME À FEU EST DÉCHARGÉE ET QUE LA CULASSE EST OUVERTE LORS DE L'INSTALLATION, DU NETTOYAGE, DE L'ORIENTATION DU TIR, DE LA MAINTENANCE OU DU RETRAIT DE LA LAMPE TORCHE. ACTIVER UNIQUEMENT LA LAMPE TORCHE AVEC LA MAIN QUI N'EST PAS SUR LA DÉTENTE TOUT EN EMPLOYANT UNE PRISE À DEUX MAINS SUR L'ARME À FEU ET AVEC LE DOIGT SUR LA DÉTENTE EN DEHORS DU PONNET.

▲ AVERTISSEMENT RISQUE DE BLESSURES. L'UTILISATION DE COMPOSANTS NON CONFORMES OU DE COMPOSANTS DE RÉSERVE, LES MODIFICATIONS APPORTÉES AUX PIÈCES D'ORIGINE, OU L'UTILISATION DE CETTE LAMPE TORCHE AVEC TOUT PRODUIT INCOMPATIBLE PEUVENT ANNULER LA GARANTIE ET ENTRAÎNER LA DÉFAILLANCE DU PRODUIT OU DES BLESSURES CORPORELLES.

▲ ATTENTION RAYONNEMENT À LED (RG-2). NE PAS REGARDER DIRECTEMENT DANS LE FAISCEAU. IL EXISTE UN RISQUE POTENTIEL POUR LES YEUX. CONFORME À LA NORME 62471, ED. 1.0:2006-07.

LASER (TLR-8® X sub uniquement)

RAYONNEMENT LASER, ÉVITER TOUTE EXPOSITION DIRECTE DES YEUX. PRODUIT LASER 640 - 660 nm DE CLASSE 3R, PUISSANCE < 5 mW



CONFORME À
21CFR1040.10 & 11,
NOTICE LASER 56
08 MAI 2019

LASER (TLR-8® X G sub uniquement)

RAYONNEMENT LASER, ÉVITER TOUTE EXPOSITION DIRECTE DES YEUX. PRODUIT LASER 510 - 530 nm DE CLASSE 3R, PUISSANCE < 5 mW



CONFORME À
21CFR1040.10 & 11,
NOTICE LASER 56
08 MAI 2019

▲ ATTENTION LE MODE STROBOSCOPIQUE PEUT PROVOQUER DES CRISES CHEZ LES PERSONNES SOUFFRANT D'EPILEPSIE PHOTOSENSIBLE.

▲ ATTENTION Les lampes de la série TLR procurent un faisceau puissant. En cas d'utilisation prolongée, ces lampes ont tendance à surchauffer. Ceci est NORMAL et n'est pas un défaut. Toute lampe torche à LED de taille et de performance comparables produira des quantités de chaleur comparables pendant le fonctionnement. La seule manière de réduire la chaleur de fonctionnement est de diminuer CONSIDÉRABLEMENT la puissance ou d'augmenter la taille de la lampe. Même si cette chaleur peut déclencher un mouvement réflexe de « lâcher-prise » si une lampe chaude laissée sans supervision est ramassée, la température en soi ne présente aucun risque de brûlure. En cas d'utilisation tactique pendant de courtes périodes pour vider une pièce, repérer des intrus, etc., la chaleur ne constitue pas un problème.

SÉCURITÉ DES PILES

▲ ATTENTION RISQUE D'EXPLOSION, DE BRÛLURE ET D'INCENDIE. VEILLER À NE PAS DÉMONTER, ÉCRASER, COURT-CIRCUITER, PORTER À UNE TEMPÉRATURE SUPÉRIEURE À 60 °C (140 °F), NI ÉLIMINER PAR LE FEU. NE PAS RECHARGER LES PILES CR123A. À UTILISER EXCLUSIVEMENT AVEC LES PRODUITS STREAMLIGHT SPÉCIFIÉS. À CONSERVER HORS DE PORTÉE DES ENFANTS. LA PILE DOIT ÊTRE RECYCLÉE OU MISE AU REBUT DE MANIÈRE ADÉQUATE.

AVIS

Ce produit est conçu pour utiliser une pile CR123A ou une pile rechargeable Li-ion protégée SL-B9® de Streamlight.

La pile SL-B9® contenue dans ce produit est recyclable. À la fin de sa durée de service, en fonction de la réglementation en vigueur aux niveaux national et régional, il est possible qu'il soit illégal d'éliminer la pile avec les ordures ménagères municipales. Consulter les autorités locales responsables de l'élimination des ordures pour connaître les solutions de recyclage ou d'élimination adéquates (aux États-Unis : RBRC).

INSTALLATION/RETRAIT DE LA CLÉ DE RAIL

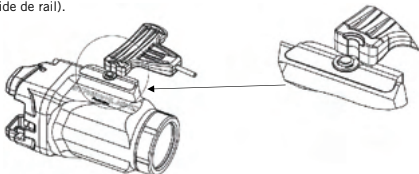
LA TLR DOIT ÊTRE RETIRÉE DE L'ARME À FEU AVANT DE POUVOIR EFFECTUER CETTE PROCÉDURE.

La série TLR-7® X sub / TLR-8® X sub est disponible dans plusieurs configurations. Si la clé installée sur l'appareil n'est pas adaptée, sélectionnez une clé permettant de fixer solidement votre TLR à l'arme en prenant particulièrement en compte la largeur de la clé et de la fente du rail, ainsi que le fonctionnement du commutateur, et en veillant à ce que le pontet soit suffisamment dégagé, etc. Reportez-vous à la liste de compatibilité pour voir les configurations qui ont été testées et approuvées par Streamlight. Certains modèles sont livrés avec la clé spécifique à l'arme à feu et la pince de rail installées et aucune clé supplémentaire.

IL EST IMPÉRATIF D'UTILISER UNE CLÉ, SINON LA TLR RISQUE DE GLISSER ET DE SORTIR DU RAIL DE L'ARME LORS DU REcul.

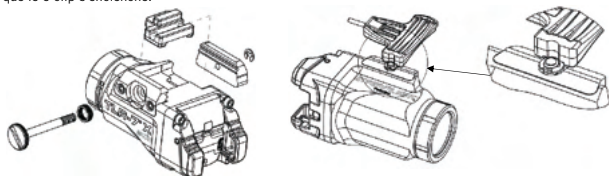
Retrait de la clé de rail

1. Serrez à fond le boulon de tension de bride de rail.
2. Le e-clip deviendra accessible à l'extrémité du boulon de tension du collier de rail (non installé en usine).
3. Alignez le côté e-clip de l'outil multifonction et appliquez une pression pour libérer le e-clip du boulon de tension du collier de serrage. L'outil doit pousser contre l'extrémité ouverte du e-clip.
4. Dévissez le boulon de tension de bride de rail et le retirer entièrement (le ressort de tension doit suivre le boulon de tension de bride de rail).



Installation de la clé de rail

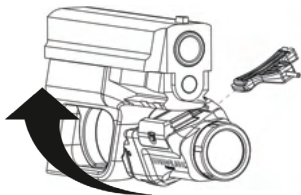
1. Dévissez le boulon de tension de bride de rail et le retirer entièrement (le ressort de tension doit suivre le boulon de tension de bride de rail).
2. Placer la clé dans la fente entre la partie mobile de la bride de rail et le côté fixe. Remarque : La clé est convenablement mise en place lorsque le boulon de tension de la bride de rail peut être installé.
3. Insérez le boulon de tension de bride de rail par le côté fixe de la bride de rail, à travers la clé, et serrez la partie mobile de la bride.
4. Serrez à fond le boulon de tension de bride de rail contre le côté fixe de la bride de rail.
5. Placez le e-clip sur le collier de serrage mobile et alignez l'extrémité ouverte avec la rainure dans la partie fileté du boulon de tension du collier de serrage.
6. Alignez le côté e-clip de l'outil multifonction avec la broche tournée vers l'interrupteur et poussez l'outil jusqu'à ce que le e-clip s'enclenche.



MONTAGE/RETRAIT DE LA LAMPE TORCHE

⚠ AVERTISSEMENT LA MANIPULATION D'UNE ARME À FEU PEUT ÊTRE DANGEREUSE ET PEUT ENTRAÎNER DES BLESSURES GRAVES, DES DOMMAGES MATÉRIELS VOIRE LE DÉCÈS. S'ASSURER QUE L'ARME À FEU EST DÉCHARGÉE ET QUE LA CULASSE EST OUVERTE. IL EST IMPÉRATIF D'EMPLOYER DES MESURES DE SÉCURITÉ À TOUT MOMENT LORS DE LA MANIPULATION DE L'ARME À FEU.

1. La TLR est conçue pour être rapidement attachée et détachée du côté de l'arme ou du rail d'accessoire.
2. Desserrez le boulon de tension de bride de rail.
3. Inclinez la TLR, en plaçant la portion fixe de la bride de rail contre le rail d'accessoire et aligner la clé de rail sur la rainure transversale appropriée dans le rail d'accessoire.



- Appuyer sur le boulon de tension de la bride de rail pour ouvrir la bride de rail, faire tourner la TLR en place et relâcher la pression sur le boulon de tension pour « enclencher » la lampe en place.
- Vérifiez le maintien et serrer le boulon de tension de la bride de rail jusqu'à ce que la TLR soit attachée à l'arme à feu de manière sécurisée.

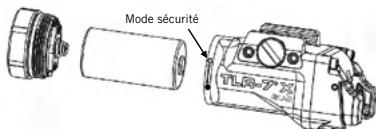
REMARQUE : La fonctionnalité tournevis de l'outil polyvalent en face de la fonctionnalité e-clip peut être utilisée pour obtenir un serrage adéquat. Sinon, une pièce de monnaie peut être utilisée. Veillez à ce que le serrage demeure dans la limite d'un serrage manuel.

MISE EN PLACE/RETRAIT DES PILES

⚠ AVERTISSEMENT LA MANIPULATION D'UNE ARME À FEU PEUT ÊTRE DANGEREUSE ET PEUT ENTRAÎNER DES BLESSURES GRAVES, DES DOMMAGES MATÉRIELS VOIRE LE DÉCÈS. S'ASSURER QUE L'ARME À FEU EST DÉCHARGÉE ET QUE LA CULASSE EST OUVERTE. IL EST IMPÉRATIF D'EMPLOYER DES MESURES DE SÉCURITÉ À TOUT MOMENT LORS DE LA MANIPULATION DE L'ARME À FEU.

À la fin de la durée de service des piles, il peut sembler que le commutateur fonctionne de façon intermittente ou ne fonctionne plus. Le remplacement des piles rétablira le fonctionnement normal.

- Dévissez et retirer le module du capuchon du corps de la TLR. Retirer la pile épuisée du corps de la lampe torche.
- La série TLR-7[®] X sub / TLR-8[®] X sub multi-fuel utilise soit une pile au lithium CR123A, soit une pile rechargeable USB SL-B9[®]. Insérez une pile CR123A ou SL-B9[®] neuve, extrémité positive en premier, dans le corps du TLR. La polarité de la pile est indiquée sur le côté du corps du TLR.
- Placez le module du capuchon sur le corps de la TLR. Serrer le module du capuchon à fond pour que les piles soient pleinement en contact avec les surfaces de contact électrique intérieures.
- Pour le mode « sécurité », desserrer le capuchon d'environ 1/4 de tour dans le sens de la détente. La lampe/le laser ne se mettra pas en marche lorsque l'un des deux boutons est enfoncé et que la pile est débranchée.



CHARGEMENT DE LA BATTERIE SL-B9[®]

Charger complètement la pile avant la première utilisation.

AVIS

Les modèles USB de la série TLR-7[®] X sub / TLR-8[®] X sub sont livrés avec une batterie SL-B9[®] avec port de charge intégré.

Pour charger la pile SL-B9[®], insérer la fiche USB-C dans le connecteur près de l'extrémité positive de la batterie. La pile peut rester branchée sur le câble USB-C de manière continue ; il n'existe aucun danger de surcharge.

Voyants de charge LED

- En cours de charge...LED rouge allumée.
- Chargée...LED verte allumée.

Le temps de charge est d'environ 2,5 heures.

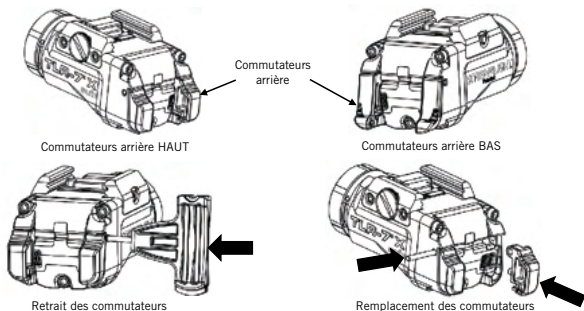
FONCTIONNEMENT DU COMMUTEUR

Le TLR est doté de commutateurs arrière ambidextres pour une activation momentanée ou constante.

- Un tapotement sur l'un ou l'autre des commutateurs met l'unité en marche (« On ») ou à l'arrêt (« Off »).
- Appuyez sur l'un ou l'autre des commutateurs et maintenez-le enfoncé pour une activation momentanée de l'unité.
- REMARQUE : La TLR ne fonctionnera pas si le capuchon est en mode « sécurité ».

Options de commutateur arrière

Le TLR dispose de deux versions de commutateurs arrière, en fonction des préférences de l'utilisateur en matière de préhension. Dans la version avec commutateur arrière BAS, le commutateur arrière est positionné plus bas d'un côté ou de l'autre du pontet, alors que dans la version avec commutateur arrière HAUT, il se trouve plus haut d'un côté ou de l'autre du pontet. Les commutateurs arrière BAS et HAUT peuvent être changés en utilisant la goupille-poussoir sur l'outil polyvalent pour appuyer sur la goupille de blocage et l'éloigner de la palette d'un côté puis de l'autre. Consulter les images illustrant le retrait et le remplacement des commutateurs.



Fonctionnement du stroboscope

Le mode stroboscopique peut être activé par l'un ou l'autre des commutateurs. En un quart de seconde, appuyer sur le commutateur, relâcher et appuyer à nouveau immédiatement pour activer la fonction stroboscopique.

Activation/désactivation du stroboscope

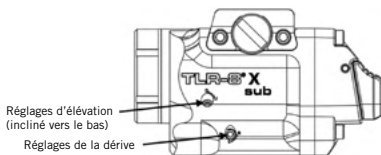
La TLR est fournie avec le mode stroboscopique désactivé. Pour passer en mode stroboscopique, en commençant par la position « Off », taper sur l'un des commutateurs très rapidement à 9 reprises (dans un délai d'un quart de seconde entre chaque pression), puis le maintenir enfoncé à la 10e reprise. Maintenir le commutateur enfoncé jusqu'à ce que la lampe s'éteigne (environ une seconde), ce qui indique que la reprogrammation a réussi. Répéter la procédure ci-dessus pour désactiver le mode stroboscopique.

ZÉROTAGE DU VISEUR LASER

Pour un laser monté sur le dessous ou le côté de l'âme, il n'y a qu'une distance à laquelle la trajectoire de la balle coïncide avec la ligne de visée du laser. Ce point est la « distance de zérotage ». L'éloignement de ce point dépend du réglage du laser et de la vitesse initiale de la balle. L'utilisateur doit décider jusqu'à quel écart admissible au-dessus ou en dessous de la ligne de visée la balle peut frapper, puis ajuster le viseur en conséquence. En deçà de la distance de zérotage, la balle est au-dessus de la ligne de visée. Au-delà de la distance de zérotage, la balle est en dessous de la ligne de visée. Si monté sur le côté, la balle dévient également sur le côté de la ligne de laser, ainsi que vers le haut et vers le bas. En pratique, un modèle TLR sur un pistolet peut être ajusté pour garder la trace de balle dans les 5 cm de haut et 5 cm en bas sur environ 30 mètres.

Deux vis de réglage sont situés sur le côté gauche du corps de la lampe torche. Le réglage de la dérive se trouve au plus près du bas de la lampe torche. Tournez la vis de réglage dans le sens horaire pour déplacer le laser vers la gauche (point d'impact vers la droite). Tournez la vis de réglage dans le sens antihoraire pour déplacer le laser vers la droite (point d'impact vers la gauche). Le réglage de l'élévation est situé plus haut sur le corps de la lampe de poche, incliné vers le bas. Le modèle TLR étant pointé sur une cible, la rotation de la vis de réglage dans le sens horaire déplace le laser vers le haut (point d'impact vers le bas). La rotation de la vis de réglage dans le sens antihoraire déplace le laser vers le bas (point d'impact vers le haut). Déplacez le point du laser dans la direction des impacts sur la cible (exemple : si les balles sont vers le bas et la droite, déplacez le point du laser vers le bas et la droite pour coïncider avec l'impact des balles).

REMARQUE : Lors d'ajustements importants, une interaction des réglages peut causer un déplacement en diagonale ou un coincement du laser. Il peut s'avérer nécessaire de tourner la vis de réglage opposée dans le sens antihoraire pour pouvoir amener la cartouche laser jusqu'à la position voulue.



ENTRETIEN

Le boulon de tension de la bride de rail TLR requiert une application d'huile pour armes de haute qualité pour éviter la rouille. Utilisez un chiffon doux et un détergent doux pour nettoyer la lentille DEL de verre et la protéger des salissures et de tout encrassement.

Remarque : Évitez toujours les solutions de nettoyage agressives car elles risquent d'endommager la TLR. Si vous tirez des munitions dont les balles comportent une base en plomb à nu, il est possible qu'une couche de poussière de plomb se dépose sur l'optique et le capuchon. Il est possible d'éliminer ces traces de l'optique en frottant avec une paille de fer fine. Il est extrêmement difficile d'éliminer un dépôt de plomb du capuchon. Pour éviter la formation d'un dépôt de plomb sur le capuchon, enveloppez celui-ci dans du ruban isolant.

UTILISATION DU PRODUIT

Les lampes torches Streamlight sont destinées à fournir une source d'éclairage à forte intensité, robuste et portable. L'utilisation des lampes torches Streamlight à toute fin autre que des sources d'éclairage est spécifiquement déconseillée par le fabricant. Streamlight rejette expressément toute responsabilité pour toute autre utilisation que celle recommandée.

AVIS

Prrière d'utiliser exclusivement des pièces de rechange Streamlight authentiques pour assurer la sécurité du produit. Toute utilisation de pièces autres est susceptible d'invalider l'homologation du produit. Ne pas tenter de réparer l'appareil soi-même. Le confier à un service de réparation qualifié ou le renvoyer à l'usine.

Garantie limitée à vie de Streamlight

Streamlight garantit ce produit à vie contre les défauts, à l'exception des piles et des ampoules, des usages abusifs et de l'usure normale. Nous nous engageons à réparer, à remplacer ou à rembourser le prix d'achat de ce produit si nous déterminons qu'il est défectueux. Cette garantie limitée à vie exclut également les piles rechargeables, les chargeurs, les commutateurs et l'électronique, qui sont couverts par une garantie de 2 ans sur présentation d'un justificatif d'achat. **IL N'EST OFFERT AUCUNE AUTRE GARANTIE, EXPRESSE OU IMPLICITE, NOTAMMENT DE QUALITÉ MARCHANDE OU D'ADAPTATION À UN USAGE PARTICULIER. NOUS DÉCLINONS EXPRESSEMENT TOUTS DOMMAGES INDIRECTS, CONSÉCUTIFS OU SPÉCIAUX, SAUF LÀ OÙ LA LOI INTERDIT DE TELLES RESTRICTIONS.** Il est possible que la réglementation locale accorde à l'utilisateur d'autres droits légaux particuliers.

Consulter streamlight.com/support pour obtenir un exemplaire complet de la garantie. Pour enregistrer votre produit, aller à streamlight.com (Enregistrement du produit en ligne). Conserver le reçu ou tout autre justificatif d'achat.

OPTIONS DE SERVICE

La série TLR-7® X sub / TLR-8® X sub contient peu ou pas de pièces réparables par l'utilisateur.

Pour connaître les options de service, aller à streamlight.com/support/service et remplir la demande de service en ligne pour obtenir des services en usine ou pour trouver un centre de réparation Streamlight agréé à proximité.

Ou contacter :

Service à la clientèle
@ Streamlight, Inc.
30 Eagleville Road
Suite 100
Eagleville, PA 19403-3996, États-Unis
Téléphone : (800) 523-7488, gratuit / +1(610) 631-0600
Télécopie : (800) 220-7007 / +1 (610) 631-0712
E-mail : cs@streamlight.com

DEUTSCH

WICHTIG: LADEN SIE DIE BATTERIE SL-B9® VOR DEM ERSTEN GEBRAUCH VOLL AUF.

Vielen Dank, dass Sie sich für die waffenmontierte taktische Multi-Fuel-Taschenlampe TLR-7® X sub, TLR-8® X sub oder TLR-8® X G sub entschieden haben. Wie bei jedem Profi-Gerät ist auch bei diesem Produkt eine gewisse Pflege und Wartung für eine jahrelange zuverlässige Funktion erforderlich. Bitte lesen Sie diese Bedienungsanleitung, bevor Sie Ihren TLR in Betrieb nehmen.

BEWAHREN SIE DIESE ANLEITUNG AUF. Dieser Leitfaden enthält wichtige Anweisungen für einen sicheren Betrieb Ihres TLR.

▲ WARNUNG DER UMGANG MIT EINER SCHUSSWAFFE KANN GEFÄHRLICH SEIN UND ZU SACHSCHÄDEN SOWIE SCHWEREN KÖRPERVERLETZUNGEN MIT TODESFOLGE FÜHREN. BEFOLGEN SIE DIE SICHERHEITSHINWEISE BZW. BEDIENUNGSANLEITUNG DES HERSTELLERS SOWOHL DES STRAHLERS ALS AUCH DER SCHUSSWAFFE. GEHEN SIE AUSSCHLIESSLICH DANN MIT EINER SCHUSSWAFFE UM, WENN SIE EINE QUALIFIZIERTE SCHULUNG ERHALTEN HABEN. DIE SICHERHEITSMASSNAHMEN SIND STETS ANZUWENDEN. RICHTEN SIE DIE SCHUSSWAFFE NIEMALS AUF ETWAS, DAS SIE NICHT ZERSTÖREN MÖCHTEN.

▲ WARNUNG DAS VERSEHENTLICHE ABFEUERN EINER SCHUSSWAFFE KANN ZU SACHSCHÄDEN SOWIE SCHWEREN KÖRPERVERLETZUNGEN MIT TODESFOLGE FÜHREN. VERGEWISSERN SIE SICH, DASS DIE SCHUSSWAFFE NICHT GELADEN UND DER VERSCHLUSS OFFEN IST, WENN SIE DEN STRAHLER MONTIEREN, REINIGEN, AUSRICHTEN, WARTEN ODER DEMONTIEREN. SCHALTEN SIE DEN STRAHLER AUSSCHLIESSLICH MIT DER HAND EIN, DIE SICH NICHT AM ABZUG BEFINDET. DABEI SOLLTE EIN ZWEI-HANDGRIF AN DER WAFFE VERWENDET WERDEN UND DER ABZUGSFINGER SOLLTE SICH AUSSERHALB DER ABZUGSABDECKUNG BEFINDEN.

▲ WARNUNG VERLETZUNGSRISIKO. DIE VERWENDUNG VON NICHT DEM STANDARD ENTSPRECHENDEN ODER AUF DEM ZUBEHÖRMARKT BESCHAFFTEN KOMPONENTEN, VERÄNDERUNGEN AN DEN ORIGINALTEILEN ODER DIE VERWENDUNG DIESES STRAHLERS MIT EINEM INKOMPATIBLEN PRODUKT KANN DIE GARANTIE UNGÜLTIG MACHEN UND ZU PRODUKTVERSAGEN ODER KÖRPERVERLETZUNG FÜHREN.

▲ VORSICHT LED-STRAHLUNG (RG-2). NICHT DIREKT IN DEN LICHTSTRAHL SCHAUEN. AUGENSCHÄDIGUNG MÖGLICH. GEMÄSS IEC 62471 Vers. 1.0:2006-07.

LASER (nur TLR-8® X sub)

LASERSTRAHLUNG; DIREKTEN KONTAKT MIT DEN AUGEN VERMEIDEN. LASERPRODUKT DER KLASSE 3R; 640 – 660 nm, AUSGANGSLEISTUNG < 5 mW



ENTSPRICHT
21CFR1040.10 & 11,
LASER-HINWEIS 56
08 MAI 2019

LASER (nur TLR-8® X G sub)

LASERSTRAHLUNG; DIREKTEN KONTAKT MIT DEN AUGEN VERMEIDEN. LASERPRODUKT DER KLASSE 3R; 510 – 530 nm, AUSGANGSLEISTUNG < 5 mW



ENTSPRICHT
21CFR1040.10 & 11,
LASER-HINWEIS 56
08 MAI 2019

▲ VORSICHT DER BLITZMODUS KANN BEI PERSONEN MIT LICHTEMPFINDLICHER EPILEPSIE ZU ANFÄLLEN FÜHREN.

▲ VORSICHT Die Baureihe TLR hat einen starken Lichtstrahl. Bei Betrieb über längere Zeit wird sie unangenehm warm. Dies ist NORMAL und kein Fehler. Jeder LED-Strahler ähnlicher Größe und Leistung produziert im Betrieb ähnliche Wärmemengen. Die einzige Möglichkeit, die während des Betriebs abgegebene Wärmemenge WESENTLICH zu verringern, besteht darin, die Leuchtkraft des Strahlers zu verringern oder ihn größer zu bauen. Diese Erwärmung kann zwar dazu führen, dass ein unbeaufsichtigter, heißer Strahler nach dem Aufheben reflexartig wieder fallen gelassen wird, aber die Temperatur stellt keine Brandgefahr dar. Bei taktischer Verwendung über kurze Zeiträume, um z. B. einen Raum auf Eindringlinge hin zu überprüfen, stellt die Wärmeentwicklung kein Problem dar.

BATTERIE-SICHERHEIT

▲ VORSICHT EXPLOSIONSRISIKO, VERBRENNUNGS- UND BRANDGEFAHR. NICHT ÖFFNEN, ZERQUETSCHEN, KURZSCHLIESSEN, ÜBER 60°C ERHITZEN ODER VERBRENNEN. CR123A NICHT WIEDER AUFLADEN. NUR ZUSAMMEN MIT DEN ANGEGBENEN STREAMLIGHT-PRODUKTEN VERWENDEN. VON KINDERN FERNHALTEN. DIE BATTERIE MUSS WIEDERVERWERTET ODER ORDNUNGSGEMÄSS ENTSORGT WERDEN.

HINWEIS Dieses Produkt ist für die Verwendung einer CR123A-Batterie oder eines geschützten wiederaufladbaren Lithium-Ionen-Akkus Streamlight SL-B9® ausgelegt.

Die in diesem Produkt enthaltene wiederaufladbare Batterie des Typs Streamlight SL-B9® ist wiederverwertbar. In vielen Ländern ist es verboten, diese Batterie am Ende ihrer Lebensdauer in den Restmüll zu geben. Informieren Sie sich bei Ihrem örtlichen Entsorgungsbetrieb über die Recyclingoptionen bzw. die ordnungsgemäße Entsorgung. (In den USA: RBRC).

MONTAGE/DEMONTAGE DES SCHIENENADAPTERS

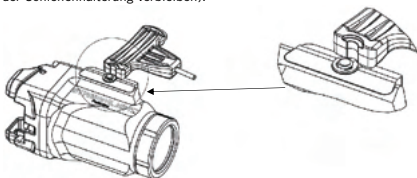
DER TLR MUSS VOR DER AUSFÜHRUNG DIESER SCHRITTE VON DER SCHUSSWAFFE ENTFERNT WERDEN.

Die TLR-7® X sub / TLR-8® X sub-Serie ist in mehreren Konfigurationen erhältlich. Falls der falsche Adapter am Strahler installiert ist, müssen Sie einen Adapter wählen, der Ihren TLR sicher an der Waffe befestigt. Dabei muss insbesondere auf die Breite des Adapters und der Nut in der Schiene, die Bedienbarkeit des Schalters und genug Platz an der Abdeckung des Abzugs usw. geachtet werden. In der Kompatibilitätsliste finden Sie die Konfigurationen, die von Streamlight getestet und genehmigt wurden. Einige Modelle werden mit dem waffenspezifischen Schlüssel und der Schienenklemme geliefert, jedoch ohne zusätzliche Schlüssel.

ES MUSS AUF JEDEN FALL EIN ADAPTER VERWENDET WERDEN, DA DER TLR SONST VOM RÜCKSTOSS VON DER WAFFE RUTSCHT.

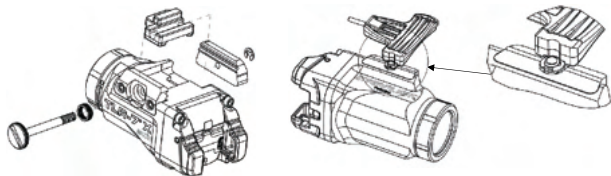
Demontage des Schienenadapters

1. Ziehen Sie den Spannbolzen der Schienenhalterung ganz fest.
2. Der Sicherungsring wird am Ende des Spannbolzens der Schienenhalterung zugänglich (nicht ab Werk installiert).
3. Stellen Sie die Sicherungssclipsseite des Mehrfach-Werkzeugs auf den zur Linse zeigenden Stift und drücken Sie den Sicherungsclip mit etwas Kraft vom Spannbolzen der Schienenhalterung. Das Werkzeug muss gegen das offene Ende des Sicherungsclips drücken.
4. Lösen Sie den Spannbolzen der Schienenhalterung und ziehen Sie ihn vollständig heraus (die Spannfeder muss beim Spannbolzen der Schienenhalterung verbleiben).



Montage des Schienenadapters

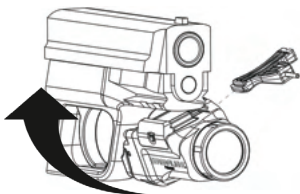
1. Lösen Sie den Spannbolzen der Schienenhalterung und ziehen Sie ihn vollständig heraus (die Spannfeder muss beim Spannbolzen der Schienenhalterung verbleiben).
2. Setzen Sie den Adapter in die Nut zwischen dem beweglichen Teil der Schienenhalterung und der festen Seite.
3. Stecken Sie den Spannbolzen der Schienenhalterung durch die feste Seite der Schienenhalterung und durch den Adapter hindurch ein und ziehen Sie ihn an der beweglichen Seite der Halterung fest.
4. Ziehen Sie den Spannbolzen der Schienenhalterung an der festen Seite der Schienenhalterung vollständig fest.
5. Legen Sie den Sicherungsclip so auf die bewegliche Schienenhalterung, dass das offene Ende an der Kerbe am Gewindeteil des Spannbolzens der Schienenhalterung liegt.
6. Stellen Sie die Sicherungssclipsseite des Mehrfach-Werkzeugs auf den zum Schalter zeigenden Stift und drücken Sie den Sicherungsclip mit dem Sicherungsclip-Werkzeug gegen den Bolzen, bis der Sicherungsclip einrastet.



MONTAGE/DEMONTAGE DES STRAHLERS

⚠ WARNUNG DER UMGANG MIT EINER SCHUSSWAFFE KANN GEFÄHRLICH SEIN UND ZU SACHSCHÄDEN SOWIE SCHWEREN KÖRPERVERLETZUNGEN MIT TODESFOLGE FÜHREN. VERGEWISSEN SIE SICH, DASS DIE SCHUSSWAFFE NICHT GELADEN UND DER VERSCHLUSS OFFEN IST. DIE STÄNDIGE ANWENDUNG VON SICHERHEITSMASSNAHMEN IST BEIM UMGANG MIT DER SCHUSSWAFFE UNABDINGBAR.

1. Der TLR ist so aufgebaut, dass er schnell an die Seite der Waffe oder an eine Zubehörschiene montiert und davon demontiert werden kann.
2. Lösen Sie den Spannbolzen der Schienenhalterung.
3. Kippen Sie den TLR und setzen Sie den festen Teil der Schienenhalterung an die Zubehörschiene und bringen Sie den Schienenadapter über die entsprechende Kreuznut in der Zubehörschiene.



- Drücken Sie den Spannbolzen der Schienenhalterung nach unten, um die Schienenhalterung zu öffnen. Klappen Sie den TLR dann in seine Position und lassen Sie dann den Spannbolzen los, sodass der Strahler „einrastet“.
- Prüfen Sie den Sitz und drehen Sie den Spannbolzen der Schienenhalterung fest, bis der TLR fest an der Feuerwaffe sitzt.

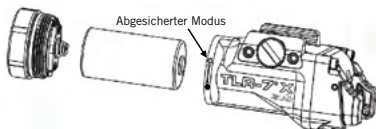
HINWEIS: Mit dem Schraubendreher des Mehrfach-Werkzeugs gegenüber der Sicherungsclipsseite kann ein ausreichend fester Sitz erzielt werden. Alternativ können Sie eine Münze benutzen. Ziehen sie nur „handfest“ an.

EINLEGEN/HERAUSNEHMEN DER BATTERIE

⚠ WARNUNG DER UMGANG MIT EINER SCHUSSWAFFE KANN GEFÄHRLICH SEIN UND ZU SACHSCHÄDEN SOWIE SCHWEREN KÖRPERVERLETZUNGEN MIT TODESFOLGE FÜHREN. VERGEWISSERN SIE SICH, DASS DIE SCHUSSWAFFE NICHT GELADEN UND DER VERSCHLUSS OFFEN IST. DIE STÄNDIGE ANWENDUNG VON SICHERHEITSMASSNAHMEN IST BEIM UMGANG MIT DER SCHUSSWAFFE UNABDINGBAR.

Gegen Ende der Batterielebensdauer kann der Schalter diskontinuierlich oder funktionslos erscheinen. Durch den Austausch der Batterie wird die normale Funktion wiederhergestellt.

- Schrauben Sie den Reflektor vom Gehäuse des TLR ab und entfernen Sie ihn. Nehmen Sie die leere Batterie aus dem Gehäuse des Strahlers.
- Die Multi-Fuel-Serie TLR-7[®] X sub / TLR-8[®] X sub verwendet entweder eine CR123A-Lithiumbatterie oder eine SL-B9[®]-USB-aufladbare Batterie. Legen Sie eine neue CR123A- oder SL-B9[®]-Batterie mit dem Pluspol zuerst in das Gehäuse des TLR ein. Die Batteriepolartität ist an der Seite des TLR-Gehäuses angegeben.
- Setzen Sie den Reflektor an das Gehäuse des TLR. Drehen Sie den Reflektor vollständig fest, um zu gewährleisten, dass die Batterie einen vollständigen Kontakt mit den eingebauten elektrischen Kontakten herstellt.
- Um in den „abgesicherten“ Modus zu schalten, lösen Sie den Reflektor um etwa ¼ Umdrehung bis zur Arretierung. Das Licht bzw. der Laser schaltet sich dann nicht ein, wenn eine der Tasten gedrückt wird, und die Batterie wird getrennt.



SL-B9[®] BATTERIELADEN

HINWEIS Laden Sie Batterien vor dem ersten Gebrauch voll auf.

Die USB-Modelle der TLR-7[®] X sub / TLR-8[®] X sub-Serie werden mit einem SL-B9[®]-Akku mit integriertem Ladeanschluss geliefert.

Zum Laden der Batterie des Typs SL-B9[®] stecken Sie den USB-C-Stecker in die Buchse in der Nähe des Pluspols der Batterie. Die Batterie kann ununterbrochen am USB-C-Kabel angeschlossen bleiben. Die Gefahr einer Überladung besteht nicht.

LED-Ladeanzeige

- Ladevorgang läuft: die rote LED leuchtet.
 - Ladevorgang abgeschlossen: die grüne LED leuchtet.
- Die Ladedauer beträgt etwa 2,5 Stunden.

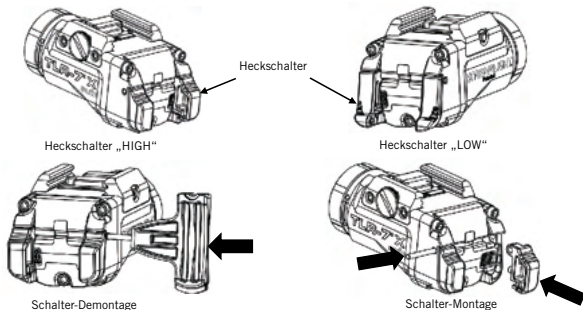
BEDIENUNG DES SCHALTERS

Der TLR hat links- oder rechtshändig bedienbare Schalter am Heck für Tasterbetrieb oder dauerhaftes Einschalten.

- Mit einem Antippen eines der Schalter wird das Gerät ein- oder ausgeschaltet.
- Einen der Schalter drücken und gedrückt halten, um das Gerät kurz zu aktivieren.
- HINWEIS: Der TLR schaltet sich nicht ein, wenn sich der Reflektor im „abgesicherten“ Modus befindet.

Bedienung des Heckschalters

Für den TLR gibt es je nach Griffwunsch des Benutzers zwei Versionen des Heckschalters. Beim Heckschalter „LOW“ sitzt der Schalter auf beiden Seiten der Abzugsabdeckung tiefer, während beim Heckschalter „HIGH“ der Schalter auf beiden Seiten der Abzugsabdeckung höher sitzt. Die Heckschalter „LOW“ und „HIGH“ können gewechselt werden, indem der Haltebolzen mit dem Bolzendrucker am Mehrfach-Werkzeug auf der einen Seite und dann auf der anderen vom Wippschalter gedrückt wird. Siehe die Abbildungen zu Montage und Demontage der Schalter unten.



Stroboskopbetrieb

Der Stroboskopmodus kann mit beiden Schaltern aktiviert werden. Drücken Sie einen der Schalter, lassen Sie ihn los und drücken Sie ihn innerhalb von einer ¼ Sekunde sofort noch einmal, um das Stroboskop einzuschalten.

Stroboskop aktivieren/deaktivieren

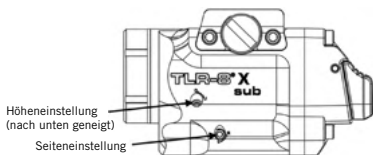
Der TLR wird werkseitig mit deaktiviertem Stroboskopmodus ausgeliefert. Zum Aktivieren des Stroboskops tippen Sie einen der Schalter bei ausgeschaltetem Strahler 9 Mal hintereinander sehr schnell an (jeweils innerhalb von ¼ Sekunde) und halten ihn beim 10. Mal gedrückt. Halten Sie den Schalter so lange gedrückt, bis das Licht ausgeht (etwa nach einer Sekunde), was anzeigt, dass die Umprogrammierung erfolgreich war. Wiederholen Sie die obigen Schritte, um den Stroboskopmodus wieder zu deaktivieren.

KALIBRIERUNG DES LASERVISIERS

Bei einem Laser, der unterhalb oder neben der Mündung montiert ist, gibt es nur eine Entfernung, bei der der Projektilpfad mit der Laservisierlinie zusammenfällt. Dieser Punkt ist die „Nullentfernung“. Die Einstellung des Lasers und die Mündungsgeschwindigkeit des Projektils bestimmen, wo dieser Punkt liegt. Der Benutzer muss entscheiden, wie hoch oberhalb oder unterhalb der Visierlinie das Projektil einschlagen darf, und das Visier entsprechend einstellen. Bei Entfernungen, die kleiner als die Nullentfernung sind, befindet sich das Projektil oberhalb der Visierlinie. Hinter der Nullentfernung befindet sich das Projektil unterhalb der Visierlinie. Bei seitlicher Montage wird das Projektil nicht nur nach oben und nach unten, sondern auch seitlich zum Laserstrahl abweichen. In der Praxis kann ein TLR an einer Handwaffe so eingestellt werden, dass das Projektil bis zu einer Entfernung von etwa 30 Meter in einem Bereich von etwa 5 cm oberhalb und 5 cm unterhalb trifft.

An der linken Seite des Strahlergehäuses befinden sich zwei Einstellschrauben. Die Windablenkungseinstellung befindet sich näher an der Unterseite des Strahlers. Drehen Sie die Einstellschraube im Uhrzeigersinn, um den Laser nach links (den Treffpunkt nach rechts) zu bewegen. Drehen Sie die Einstellschraube gegen den Uhrzeigersinn, um den Laser nach rechts (den Treffpunkt nach links) zu bewegen. Die Höheneinstellung ist weiter oben am Taschenlampenkörper angebracht und nach unten geneigt. Bei zielwärts zeigendem TLR bewegt eine Drehung der Einstellschraube im Uhrzeigersinn den Laser nach unten (den Einschlagpunkt nach oben). Eine Drehung der Einstellschraube gegen den Uhrzeigersinn bewegt den Laser nach unten (den Treffpunkt nach oben). Bewegen Sie den Laserpunkt in die Richtung, in der die Projektile das Ziel treffen (Beispiel: Wenn die Projektile unterhalb und rechts treffen, denn bewegen Sie den Laserpunkt nach unten und nach rechts, sodass er dort liegt, wo die Projektile treffen).

HINWEIS: Wenn Sie große Anpassungen vornehmen, kann es zu einer Wechselwirkung kommen, die dazu führt, dass der Laser sich diagonal bewegt oder verkeilt. Es könnte nötig sein, die gegenüberliegende Einstellschraube gegen den Uhrzeigersinn zu drehen, damit die Laserkartusche die gewünschte Stellung einnehmen kann.



WARTUNG

Die Spannschraube der TLR-Schienenklemme erfordert die Anwendung von hochwertigem Waffenöl, um sie rostfrei zu halten. Verwenden Sie ein weiches Tuch und ein mildes Reinigungsmittel, um die Glas-LED-Linse zu reinigen und sie frei von Schmutz und Dreck zu halten.

Hinweis: Vermeiden Sie stets aggressive Reinigungslösungen, da diese den TLR beschädigen können. Wenn Sie Munition verschießen, deren Bleibasis auf den Geschossen freiliegt, kann es sein, dass die Linse und die Frontkappe mit Blei bedeckt werden. Diese können durch Reiben mit feiner Stahlwolle von der Linse entfernt werden. Es ist äußerst schwierig, die Bleibeschichtung von der Gesichtskappe zu entfernen. Umwickeln Sie die Gesichtskappe mit Isolierband, um eine Bleibeschichtung zu vermeiden.

PRODUKTVERWENDUNG

Streamlight-Taschenlampen sind dazu vorgesehen, als tragbare Hochleistungs-Lichtquellen für harte Einsätze verwendet zu werden. Der Hersteller rät ausdrücklich davon ab, Streamlight-Strahler für andere Zwecke als als Lichtquellen zu verwenden. Für andere Verwendungen als empfohlen lehnt Streamlight ausdrücklich jede Haftung ab.

HINWEIS

Achten Sie darauf, nur Original-Ersatzteile von Streamlight zu verwenden, um die Sicherheit des Produkts zu gewährleisten. Andere Teile könnten die Produktzulassung ungültig machen. Versuchen Sie nicht, das Gerät selbst zu reparieren. Schicken Sie es an eine qualifizierte Werkstatt oder ins Werk zurück.

Eingeschränkte lebenslange Garantie von Streamlight

Streamlight garantiert, dass dieses Produkt während eines gesamten Verwendungslebens frei von Mängeln ist. Ausgenommen sind Batterien und Glühlampen, Missbrauch und normaler Verschleiß. Wir werden dieses Produkt reparieren, ersetzen oder den Kaufpreis zurückerstatten, wenn wir feststellen sollten, dass es mangelhaft ist. Ebenfalls von dieser eingeschränkten lebenslangen Garantie ausgenommen sind wiederaufladbare Batterien, Ladegeräte, Schalter und die Elektronik, für die eine zweijährige Garantie mit Kaufnachweis gilt. **DIES IST DIE EINZIGE AUSDRÜCKLICH ODER IMPLIZITE GARANTIE, EINSCHLIESSLICH EINER ETWAIGEN GARANTIE DER MARKTÜBLICHKEIT ODER EIGNUNG FÜR EINEN BESTIMMTEN ZWECK. ERSATZ FÜR BEILÄUFIGE SCHÄDEN ODER FOLGESCHÄDEN UND BESONDERER SCHADENSERSATZ WERDEN AUSDRÜCKLICH AUSGESCHLOSSEN, AUSSER IN LÄNDERN, IN DENEN EINE DERARTIGE EINSCHRÄNKUNG GESETZLICH VERBOTEN IST.** Je nach Land könnten Sie andere bestimmte gesetzliche Rechte haben.

Alle Garantieunterlagen finden Sie auf streamlight.com/support. Sie können Ihr Produkt auf streamlight.com/registrieren (Online-Produktregistrierung). Bewahren Sie Ihre Quittung bzw. Ihren Kaufnachweis auf.

REPARATUREN

Die TLR-7® X sub / TLR-8® X sub-Serie enthält wenige oder keine vom Benutzer zu wartenden Teile.

Bei nötigen Reparaturen besuchen Sie streamlight.com/support/service und füllen den Online-Reparaturauftrag aus, um eine Reparatur im Werk zu beauftragen oder eine Streamlight-Vertragswerkstatt in Ihrer Nähe zu finden.

Oder wenden Sie sich an:

Customer Service
© Streamlight, Inc.
30 Eagleville Road
Suite 100
Eagleville, PA 19403-3996, USA
Telefon: (800) 523-7488 gebührenfrei (nur in den USA) / +1 (610) 631-0600
Fax: (800) 220-7007 / +1 (610) 631-0712
E-Mail: cs@streamlight.com



STREAMLIGHT®

streamlight.com

30 Eagleville Road

Eagleville, PA 19403

Phone: (800) 523-7488

997931 Rev. B 12/24