



OPERATING INSTRUCTIONS FOR THE STREAMLIGHT PROTAC® RAIL MOUNT PRO SERIES

IMPORTANT: FULLY CHARGE SL-B26® BATTERY PACK BEFORE FIRST USE.



Thank you for selecting the ProTac® Rail Mount HL-X Pro or ProTac® Rail Mount HP-X Pro tactical long gun light. As with any professional tool, reasonable care and maintenance of this product will provide years of dependable service. Please read this manual before using the ProTac® Rail Mount. It contains important safety and operating instructions and should be saved.

SAVE THESE INSTRUCTIONS. This guide contains important safety and operating instructions for the ProTac® Rail Mount.


⚠ WARNING HANDLING A FIREARM CAN BE DANGEROUS AND MAY RESULT IN SERIOUS INJURY, DAMAGE TO PROPERTY, OR DEATH. FOLLOW BOTH THE FLASHLIGHT AND THE FIREARM MANUFACTURER'S SAFETY / OPERATING INSTRUCTIONS. NEVER HANDLE A FIREARM UNLESS YOU HAVE RECEIVED QUALIFIED TRAINING. SAFETY MEASURES MUST BE EMPLOYED AT ALL TIMES. NEVER POINT THE FIREARM AT SOMETHING YOU DO NOT INTEND TO SHOOT.

⚠ WARNING ACCIDENTAL DISCHARGE OF A FIREARM MAY RESULT IN SERIOUS INJURY, DAMAGE TO PROPERTY, OR DEATH. MAKE SURE THAT THE FIREARM IS UNLOADED AND THE BREECH IS OPEN WHEN INSTALLING, CLEANING, ADJUSTING AIM, MAINTAINING, OR REMOVING THE FLASHLIGHT. ONLY ACTIVATE THE FLASHLIGHT WITH THE NON-TRIGGER HAND WHILE EMPLOYING A TWO-HAND GRIP ON THE FIREARM AND WITH THE TRIGGER FINGER OUTSIDE OF THE TRIGGER GUARD.

⚠ WARNING RISK OF INJURY. THE USE OF SUBSTANDARD OR AFTERMARKET COMPONENTS, MODIFICATIONS TO THE ORIGINAL PARTS, OR USE OF THIS FLASHLIGHT WITH ANY INCOMPATIBLE PRODUCT MAY VOID WARRANTY AND COULD LEAD TO PRODUCT FAILURE OR PERSONAL INJURY.

⚠ CAUTION LED RADIATION (RG-2). DO NOT STARE INTO BEAM. MAY BE HARMFUL TO EYES. PER IEC 62471 Ed 1.0:2006-07.

⚠ CAUTION STROBE MODE MAY CAUSE SEIZURES IN PERSONS WITH PHOTOSENSITIVE EPILEPSY.

⚠ WARNING  Fire and burn hazard. The ProTac® Rail Mount provides a powerful beam. When operated for more than a few seconds, it will get hot. Never leave your ProTac® Rail Mount with its face against any surface, including skin, while in operation. Transport or store the ProTac® Rail Mount in a way that minimizes the chance it can accidentally be turned on. The resultant heat build-up can cause a fire, burns or damage to the flashlight.

BATTERY SAFETY

⚠ CAUTION EXPLOSION RISK, BURN, AND FIRE HAZARD. DO NOT DISASSEMBLE, CRUSH, SHORT CIRCUIT, HEAT ABOVE 140°F (60°C), OR DISCARD IN FIRE. DO NOT MIX BATTERIES OF DIFFERENT BRANDS OR OLD WITH NEW BATTERIES. DO NOT RECHARGE CR123. USE ONLY WITH THE SPECIFIED STREAMLIGHT PRODUCTS. KEEP AWAY FROM CHILDREN. BATTERY MUST BE RECYCLED OR DISPOSED OF PROPERLY.

NOTICE This product is not designed to use rechargeable CR123A batteries.

The Streamlight SL-B26® battery is recyclable. At the end of its useful life, under various country and state laws, it may be illegal to dispose of this battery in the municipal solid waste stream. Check with your local solid waste officials for details in your area for recycling options or proper disposal (In USA: RBRC).

BATTERY INSTALLATION/ REMOVAL

The ProTac® Rail Mount uses one SL-B26® rechargeable battery or two CR123A batteries. Unscrew the tail cap and remove depleted batteries, insert fresh batteries positive end first, replace and tighten tail cap.

SL-B26® USB BATTERY CHARGING

NOTICE

Fully charge battery before first use.

To charge the SL-B26® battery, insert the USB-C plug into the connector near the positive end of the battery. The battery may be left plugged into a USB-C cable continuously, there is no danger of overcharging.

LED Charge Indicators

The SL-B26® batteries have a red/green charge indicator on the positive end.

- Charging...Red LED is on.
- Charged...Green LED is on.

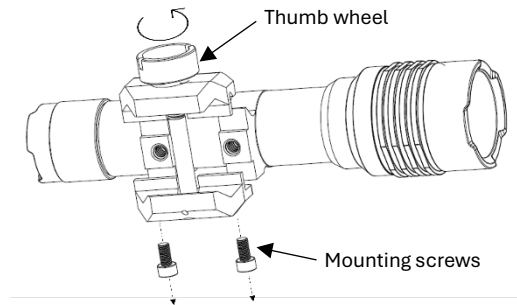
Charge time is approximately 5 hours when using Streamlight AC adapters.

MOUNTING

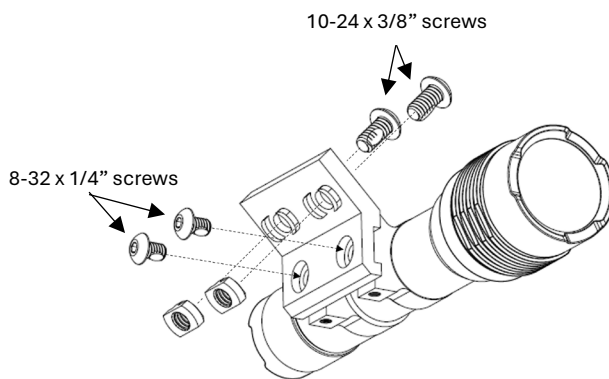
The rail clamp is designed to rapidly and securely attach/detach from rifles, carbines and sub machine guns with a MIL Standard 1913 or M-LOK® rail*.

For the 1913 rail, rotate the thumb wheel until the clamp is fully open. Slip the clamp over the 1913 rail of the weapon and retighten the thumb wheel securely.

To use the M-LOK® mount, replace the 1913 rail clamp by removing the two mounting screws using a 2mm hex wrench and loosening the thumb wheel fully.



Align the M-LOK® mount holes with the ProTac® Rail Mount holes and use the 3/32" hex wrench to tighten the 8-32x1/4" screws.



To connect the ProTac® Rail Mount and M-LOK® mount to the rail, rotate the M-LOK® T-nuts to the install/uninstall position. Position this assembly in the desired rail location. Tighten the 10-24x3/8" screws using the 1/8" hex wrench to lock the T-nut.



GENERAL OPERATION

The ProTac® Rail Mount features a programmable switch with momentary operation (light press or tap) and constant on operation (latching, press with increasing force until it clicks).

- High: Tap and hold; click to lock on; click again for off.
- Strobe: Fast double-tap (within 0.4 seconds) and hold; click to lock on; click again for off.

Accessing Other Programs

The ProTac® Rail Mount features a TEN-TAP® programmable switch allowing the user to select one of three different programs. To change to the next program, starting from the “Off” position, tap the switch rapidly 9 times (within 0.4 seconds per tap) and hold it down the 10th time. Continue holding the switch until the light turns off (approximately 1 second), then release the switch.

Available programs are High-Strobe (Factory Default), High only or Low-High.

Remote Switch Operation

The ProTac® Rail Mount may be used with an optional remote switch available in momentary-only and momentary/latching versions. To install a remote switch, insert the remote switch plug into the tailcap port. Mount remote switch to firearm as desired.

- Both remote versions: The large pad on the remote switch functions in the same manner as a tap on the programmable switch.
- Momentary/Latching version only: The smaller button functions the same as latching the programmable switch.

Use the pad to initiate the desired mode and then depress the latching button for constant on operation. Note, constant on switches can conflict when using the latching remote switch. If the light does not appear to turn off, verify both remote and tailcap switches are off.

MAINTENANCE

It is important to keep the O-ring on the tail cap lubricated. The ProTac® Rail Mount rail clamp tension bolt requires an application of high-quality gun oil to keep it rust free. Use a soft cloth and mild detergent to clean the glass LED lens and keep it free of dirt and grime.

NOTICE

Avoid aggressive cleaning solutions as they may damage the ProTac® Rail Mount. If you shoot ammunition with an exposed lead base on the bullets, the lens and facecap may become coated with lead. This may be removed from the lens by rubbing with fine steel wool. It is extremely difficult to remove the lead coating from the facecap. Wrap the facecap with electrical tape to avoid lead coating.

PRODUCT USE

Streamlight flashlights are intended for use as high intensity, heavy duty, and portable light sources. Use of Streamlight flashlights for any purpose other than as light sources is specifically discouraged by the manufacturer. Streamlight specifically disclaims liability for other than recommended use.

NOTICE

Be sure to use only genuine Streamlight replacement parts to ensure product safety. Substitution may invalidate the product approval. Do not try to repair the unit yourself. Send to a qualified service facility or return it to the factory.

Streamlight Limited Lifetime Warranty

Streamlight warrants this product to be free of defects for a lifetime of use except for batteries and bulbs, abuse, and normal wear. We will repair, replace, or refund the purchase price of this product should we determine it to be defective. This limited lifetime warranty also excludes rechargeable batteries, chargers, switches, and electronics which have a 2-year warranty with proof of purchase. **THIS IS THE ONLY WARRANTY, EXPRESSED OR IMPLIED, INCLUDING ANY WARRANTY OF MERCHANTABILITY OR FITNESS FOR A PARTICULAR PURPOSE. INCIDENTAL, CONSEQUENTIAL, OR SPECIAL DAMAGES ARE EXPRESSLY DISCLAIMED EXCEPT WHERE SUCH LIMITATION IS PROHIBITED BY LAW.** You may have other specific legal rights which vary by jurisdiction.

Go to streamlight.com/support for a complete copy of the warranty. To register your product, go to streamlight.com (Online Product Registration). Retain your receipt or any proof of purchase.

SERVICE OPTIONS

The ProTac® Rail Mount contains few user-serviceable parts.

For service options, go to streamlight.com/support/service and complete the Online Service Request for factory service or to find the location of an authorized Streamlight repair center near you.

Or contact:

Customer Service

© Streamlight, Inc.

30 Eagleville Road

Suite 100

Eagleville, PA 19403-3996, USA

Phone: (800) 523-7488 Toll-Free / +1 (610) 631-0600

Fax: (800) 220-7007 / +1 (610) 631-0712

Email: cs@streamlight.com

*All rights reserved. M-LOK® is a registered trademark of Magpul Industries Corp.

997907 Rev. B 11/24