

OPERATING INSTRUCTIONS FOR STREAMLIGHT TLR-1 HL®-X & TLR-1 HP®-X

IMPORTANT: FULLY CHARGE SL-B9™ BATTERY PACKS BEFORE FIRST USE.

Thank you for selecting the TLR-1 HL®-X or TLR-1 HP®-X multi-fuel, high lumen rail-mounted flashlight. As with any professional tool, reasonable care and maintenance of this product will provide years of dependable service. Please read this manual before using your TLR.

SAVE THESE INSTRUCTIONS. This guide contains important safety and operating instructions for your TLR.


⚠ WARNING HANDLING A FIREARM CAN BE DANGEROUS AND MAY RESULT IN SERIOUS INJURY, DAMAGE TO PROPERTY, OR DEATH. FOLLOW BOTH THE FLASHLIGHT AND THE FIREARM MANUFACTURER'S SAFETY / OPERATING INSTRUCTIONS. NEVER HANDLE A FIREARM UNLESS YOU HAVE RECEIVED QUALIFIED TRAINING. SAFETY MEASURES MUST BE EMPLOYED AT ALL TIMES. NEVER POINT THE FIREARM AT SOMETHING YOU DO NOT INTEND TO SHOOT.

⚠ WARNING ACCIDENTAL DISCHARGE OF A FIREARM MAY RESULT IN SERIOUS INJURY, DAMAGE TO PROPERTY, OR DEATH. MAKE SURE THAT THE FIREARM IS UNLOADED AND THE BREECH IS OPEN WHEN INSTALLING, CLEANING, ADJUSTING AIM, MAINTAINING, OR REMOVING THE FLASHLIGHT. ONLY ACTIVATE THE FLASHLIGHT WITH THE NON-TRIGGER HAND WHILE EMPLOYING A TWO-HAND GRIP ON THE FIREARM AND WITH THE TRIGGER FINGER OUTSIDE OF THE TRIGGER GUARD.

⚠ WARNING RISK OF INJURY. THE USE OF SUBSTANDARD OR AFTERMARKET COMPONENTS, MODIFICATIONS TO THE ORIGINAL PARTS, OR USE OF THIS FLASHLIGHT WITH ANY INCOMPATIBLE PRODUCT MAY VOID WARRANTY AND COULD LEAD TO PRODUCT FAILURE OR PERSONAL INJURY.

⚠ CAUTION STROBE MODE MAY CAUSE SEIZURES IN PERSONS WITH PHOTSENSITIVE EPILEPSY.

⚠ CAUTION LED RADIATION (RG-2). DO NOT STARE INTO BEAM. MAY BE HARMFUL TO EYES. PER IEC 62471 Ed 1.0:2006-07.

⚠ CAUTION  The TLR series provides a powerful beam. When operated for a long time, it will get uncomfortably warm. This is NORMAL and is not a defect. Any LED flashlight of similar size and performance will produce similar amounts of heat during operation. The only way to reduce operating heat is to SIGNIFICANTLY lower the output or increase the size of the flashlight. While this heating may trigger the drop reflex if an unattended hot light is picked up, the temperature does not present a burn hazard. When used tactically for short periods of time to clear a room, check for intruders, etc., heating will not be a problem.

BATTERY SAFETY

⚠ CAUTION EXPLOSION RISK, BURN, AND FIRE HAZARD. DO NOT DISASSEMBLE, CRUSH, SHORT CIRCUIT, HEAT ABOVE 140°F (60°C), OR DISCARD IN FIRE. DO NOT RECHARGE CR123A. USE ONLY WITH THE SPECIFIED STREAMLIGHT PRODUCTS. KEEP AWAY FROM CHILDREN. BATTERY MUST BE RECYCLED OR DISPOSED OF PROPERLY.

NOTICE This product is designed to use two CR123A batteries or two Streamlight SL-B9™ protected Li-ion rechargeable batteries.

The Streamlight SL-B9™ battery contained in this product is recyclable. At the end of its useful life, under various country and state laws, it may be illegal to dispose of this battery in the municipal solid waste stream. Check with your local solid waste officials for details in your area for recycling options or proper disposal (In USA: RBRC).

RAIL KEY INSTALLATION/REMOVAL

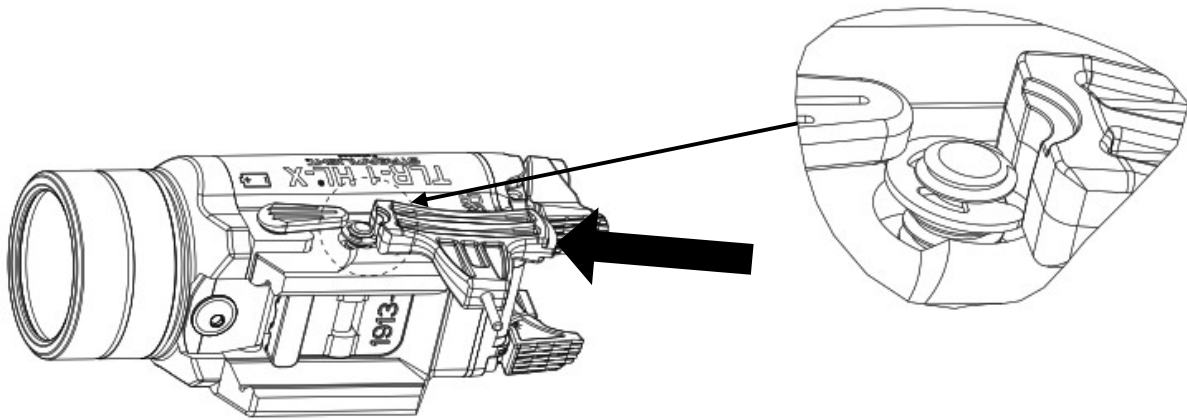
THE TLR MUST BE REMOVED FROM THE FIREARM BEFORE THIS PROCEDURE CAN BE PERFORMED.

The TLR is shipped with a rail key installed and a variety of other keys included. If the key is not correct, select a key that will securely attach your TLR to the weapon with special regard for: width of key and rail slot, operation of the switch, and non-interference with the trigger guard, etc. Refer to the Compatibility List for configurations that are tested and approved by Streamlight.

A KEY MUST BE USED OR THE TLR WILL SLIDE OFF THE WEAPON RAIL UNDER RECOIL.

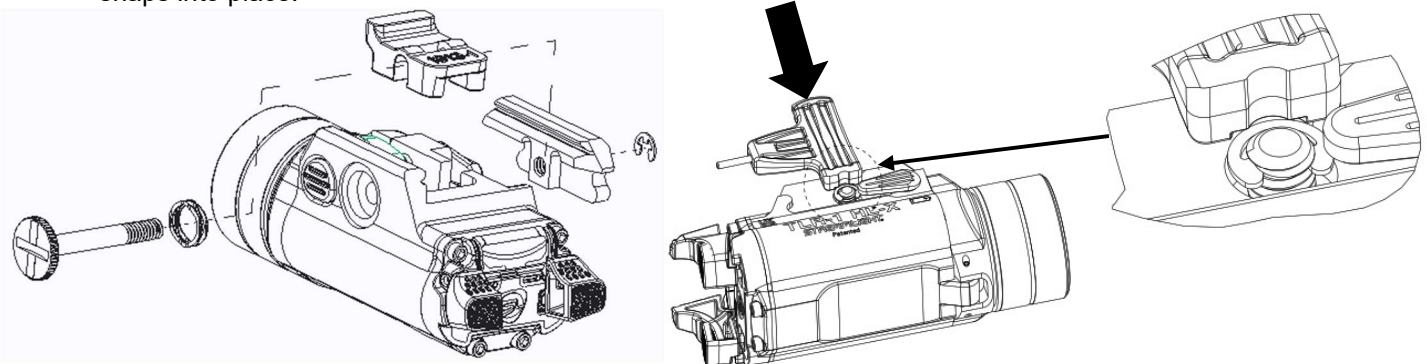
Rail Key Removal

1. Fully tighten the rail clamp tension bolt.
2. The e-clip will become accessible on the end of rail clamp tension bolt (not installed from the factory).
3. Align the e-clip side of the multi-tool and apply pressure to free the e-clip from the rail clamp tension bolt. The tool must push against the open end of the e-clip.
4. Unscrew the rail clamp tension bolt and remove it completely (the tension spring must stay with the rail clamp tension bolt).



Rail Key Installation

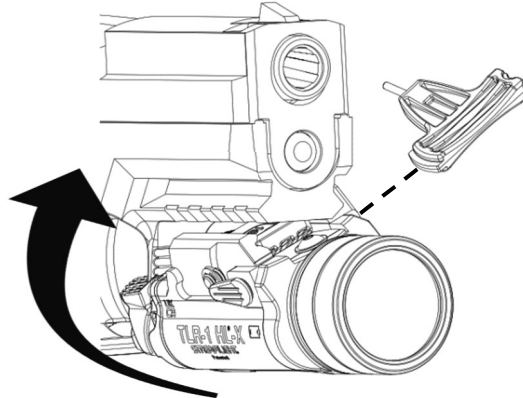
1. Unscrew the rail clamp tension bolt and remove it completely (the tension spring must stay with the rail clamp tension bolt).
2. Place the key into the slot between the movable portion of the rail clamp and the fixed side. Note: The key is fitted properly when the rail clamp tension bolt can be installed.
3. Insert the rail clamp tension bolt through the fixed side of the rail clamp, through the key and tighten into the movable side of the clamp.
4. Tighten the rail clamp tension bolt fully against the fixed side of the rail clamp.
5. Place the e-clip onto the movable rail clamp and align the open end with the groove in the threaded portion of the rail clamp tension bolt.
6. Align the e-clip side of the multi-tool with the pin facing towards the switch and push the tool until the e-clip snaps into place.



FLASHLIGHT MOUNTING/REMOVAL

⚠ WARNING HANDLING A FIREARM CAN BE DANGEROUS AND MAY RESULT IN SERIOUS INJURY, DAMAGE TO PROPERTY, OR DEATH. MAKE SURE THAT THE FIREARM IS UNLOADED AND THE BREECH IS OPEN. IT IS IMPERATIVE THAT SAFETY MEASURES BE EMPLOYED AT ALL TIMES WHILE HANDLING THE FIREARM.

1. The TLR is designed to be quickly attached or detached from the side of the weapon or accessory rail.
2. Loosen the rail clamp tension bolt.
3. Angle the TLR, placing the fixed portion of the rail clamp against the accessory rail and align the rail key with the appropriate cross groove in the accessory rail.



4. Depress the rail clamp tension bolt to open the rail clamp, rotate the TLR into place and release the pressure on the tension bolt to "snap" the light in place.
5. Check for fit and tighten rail clamp tension bolt until the TLR is securely attached to the firearm.

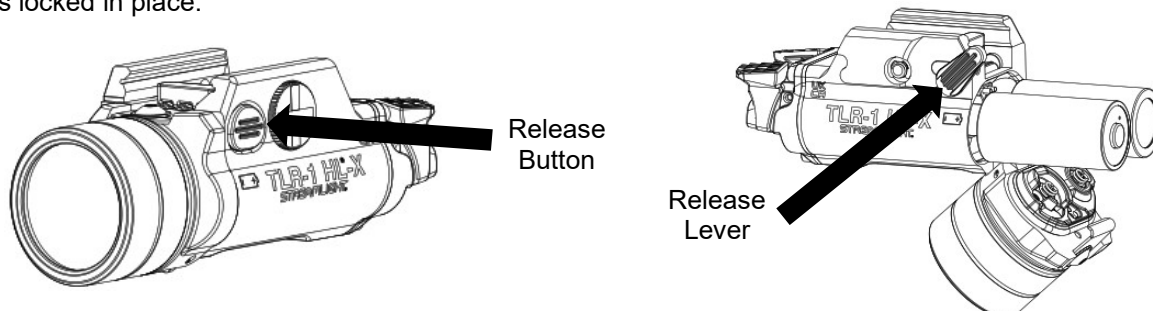
NOTE: The driver feature of the multi-tool opposite the e-clip feature may be used to obtain sufficient tightness. Alternatively, a coin may be used. Tighten only "finger tight."

BATTERY INSTALLATION/REMOVAL

⚠ WARNING HANDLING A FIREARM CAN BE DANGEROUS AND MAY RESULT IN SERIOUS INJURY, DAMAGE TO PROPERTY, OR DEATH. MAKE SURE THAT THE FIREARM IS UNLOADED AND THE BREECH IS OPEN. IT IS IMPERATIVE THAT SAFETY MEASURES BE EMPLOYED AT ALL TIMES WHILE HANDLING THE FIREARM.

At the end of battery life, the switch may appear intermittent or non-functional. Replacing the batteries will restore normal operation.

1. Push and hold the Release Button and rotate the Release Lever clockwise. Rotate the facecap assembly down to access the batteries. Remove the exhausted batteries from the flashlight body.
2. The multi-fuel TLR uses either two CR123A lithium batteries or two SL-B9™ USB rechargeable batteries. Insert fresh CR123A or SL-B9™ batteries into the body of the TLR as illustrated below. Do not mix battery types. Battery polarity is indicated on each side of the TLR body.
3. Rotate back the facecap assembly onto the TLR body. While holding the facecap assembly to the body, rotate the Release Lever counterclockwise to lock the facecap assembly. An audible click indicates that the facecap is locked in place.



SL-B9™ BATTERY CHARGING

NOTICE

Fully charge batteries before first use.

The TLR ships with two SL-B9™ batteries with integrated charge ports.

To charge the SL-B9™ battery, insert the USB-C plug into the connector near the positive end of the battery. The battery may be left plugged into a USB-C cable continuously, there is no danger of overcharging.

LED Charge Indicator

- Charging...Red LED is on.
- Charged...Green LED is on.

The charge time is approximately 2.5 hours.

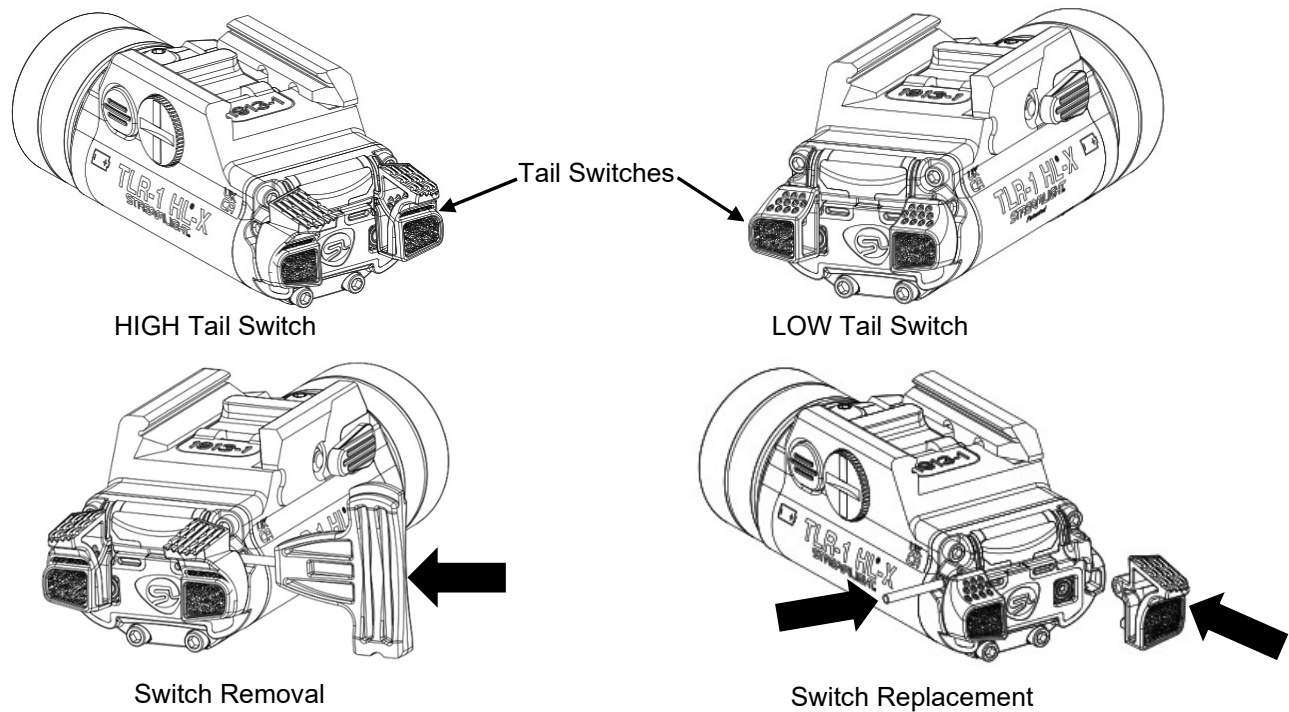
SWITCH OPERATION

The TLR features ambidextrous rear switches for momentary or constant activation.

- A quick downward tap on either switch turns the unit “on” or “off”.
- Press downward and hold either switch for momentary activation of the unit.

Rear Switch Options

The TLR has two versions of tail switches available, depending on user grip preference. The LOW tail switch presents the rear switch lower on either side of the trigger guard while the HIGH tail switch presents the rear switch higher up on either side of the trigger guard. The LOW and HIGH tail switches are interchangeable by using the push pin feature on the multi-tool to press the retaining pin clear of the paddle. See the switch removal and replacement views below.



Strobe Operation

The strobe mode can be activated by either switch. Within ¼ second, press switch release and immediately re-press for strobe.

Strobe Enable / Disable

The TLR ships from the factory with the strobe mode disabled. To enable strobe, starting from the “Off” position, tap either switch very rapidly 9 times (within ¼ second per tap) and hold down on the 10th time. Hold the switch until the light turns off (about one second) which indicates reprogramming was successful. Repeat the procedure above to disable strobe mode.

MAINTENANCE

The TLR rail clamp tension bolt, release latch and lever require an application of high quality gun oil to remain rust free. Use a soft cloth and mild detergent to clean the glass lens and keep it free of dirt and grime.

Note: Always avoid aggressive cleaning solutions as they may damage the TLR. If you shoot ammunition with an exposed lead base on the bullets, the lens and facecap may become coated with lead. This may be removed from the lens by rubbing with fine steel wool or pencil eraser.

PRODUCT USE: Streamlight flashlights are intended for use as high intensity, heavy duty, and portable light sources. Use of Streamlight flashlights for any purpose other than as light sources is specifically discouraged by the manufacturer. Streamlight specifically disclaims liability for other than recommended use.

NOTICE

Be sure to use only genuine Streamlight replacement parts to ensure product safety. Substitution may invalidate the product approval. Do not try to repair the unit yourself. Send to a qualified service facility or return it to the factory.

Streamlight Limited Lifetime Warranty

Streamlight warrants this product to be free of defects for a lifetime of use except for batteries and bulbs, abuse, and normal wear. We will repair, replace, or refund the purchase price of this product should we determine it to be defective. This limited lifetime warranty also excludes rechargeable batteries, chargers, switches and electronics which have a 2 year warranty with proof of purchase. **THIS IS THE ONLY WARRANTY, EXPRESSED OR IMPLIED, INCLUDING ANY WARRANTY OF MERCHANTABILITY OR FITNESS FOR A PARTICULAR PURPOSE. INCIDENTAL, CONSEQUENTIAL OR SPECIAL DAMAGES ARE EXPRESSLY DISCLAIMED EXCEPT WHERE SUCH LIMITATION IS PROHIBITED BY LAW.** You may have other specific legal rights which vary by jurisdiction.

Go to www.streamlight.com/support for a complete copy of the warranty. To register your product, go to www.streamlight.com (Online Product Registration). Retain your receipt or any proof of purchase.

SERVICE OPTIONS

The TLR series contain few or no user-serviceable parts.

For service options, go to www.streamlight.com/support/service and complete the Online Service Request for factory service or to find the location of an authorized Streamlight repair center near you.

Or contact:

Customer Service
STREAMLIGHT, INC.
30 Eagleville Road
Suite 100
Eagleville, PA U.S.A. 19403-3996
Phone: (800) 523-7488 Toll-Free / +1 (610) 631-0600
Fax: (800) 220-7007 / +1 (610) 631-0712